

## BIONIQ EVO RECESSED

### A350187-

base number    Color Temperature    Finish Options    Finish Options    Lens Options    Beam Angle Options

- To build a product code in our configurator select the specify button on the base model # product page
- To build a manual product code on this datasheet choose from the options listed below in blue font and add the suffix to the base model #

#### GENERAL

Series: Bioniq Evo  
 Partner: Prolicht  
 Division: Architectural  
 Installation: Recessed  
 Product Type: Downlight  
 Mounting Location: Ceiling  
 Light Distribution: Adjustable / Direct

#### PHYSICAL

Aperture Sizes - Downlights: 2"  
 Shape: Round  
 Diameter (mm): 62  
 Diameter (in): 2 3/8  
 Height (mm): 90  
 Depth (mm): 100  
 Height (in): 3 1/2  
 Depth (in): 3 15/16  
 Ceiling Thickness (mm): 2 - 15  
 Ceiling Thickness (in): 1/16 - 9/16  
 Weight (kg): 0.4  
 Fixture Finish: [BLK](#) / [WHI](#) / [ARB](#) / [CHR](#)  
 Holder Finish: WHI / BLK  
 Fixture Material: Extruded Aluminum  
 Cut-out Measurements: Ø 55mm/2 3/16"

#### ELECTRICAL

Lamp Type: LED (Zhaga Standard)  
 Input Wattage (W): 9.2  
 Total Output Wattage (W): 8.2  
 Dimming: Non-dimming / DALI Dimming / MATTER Dimming  
 Driver Included: No  
 Driver Location: Remote  
 Driver Type: Constant Current - Universal  
 Driver Class: Class 2  
 Constant Current (mA): 250mA  
 Upon Request: 0-10V Dimming / Phase Dimming

#### LED

Color Temperature (°K): [2400](#) / [2700](#) / [3000](#) / [3500](#) / [4000](#)  
 Max. Delivered Lumen (lm): Max 919  
 Nominal Lumen (lm): 1456  
 CRI: >90 CRI  
 Efficiency (%): 81.9  
 Lamp Life (hrs): 50000

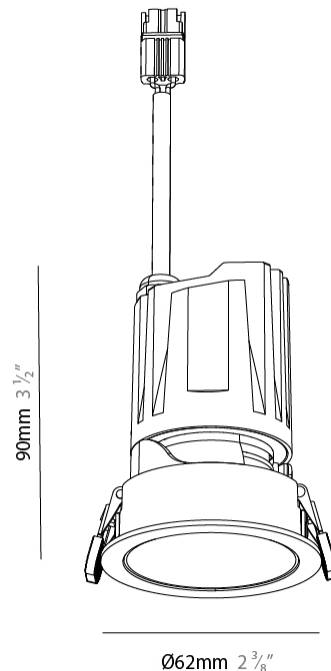
#### OPTICAL

Beam Angle: [24](#) / [32](#) / [46](#) / [56](#)  
 Adjustability: Rotational 350° / Tilt 30°

#### RATINGS AND CERTIFICATIONS

Certified By: Certified for North American Standards  
 IP rating: IP65  
 Glare Rating: ≤ 10

PROJECT
TYPE
SPECIFIER
QUANTITY
DATE



A350187-

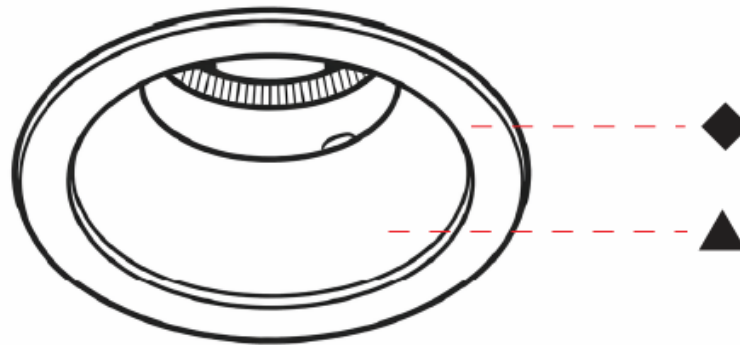
PROJECT

TYPE

SPECIFIER

QUANTITY

DATE



## BIONIQ EVO RECESSED

### A350190-

base number    Color    Finishes    Finishes    Lens  
 Temperature    (Diamond)    (Triangle)    Options

- To build a product code in our configurator select the specify button on the base model # product page
- To build a manual product code on this datasheet choose from the options listed below in blue font and add the suffix to the base model #

#### GENERAL

Series: Bioniq Evo  
 Partner: Prolicht  
 Division: Architectural  
 Installation: Recessed  
 Product Type: Downlight  
 Mounting Location: Ceiling  
 Light Distribution: Adjustable / Direct

#### PHYSICAL

Aperture Sizes - Downlights: 2"  
 Shape: Round  
 Diameter (mm): 62  
 Diameter (in): 2 3/8  
 Height (mm): 90  
 Depth (mm): 100  
 Height (in): 3 1/2  
 Depth (in): 3 15/16  
 Ceiling Thickness (mm): 2 - 15  
 Weight (kg): 0.4  
 Fixture Finish: SSR / BKV / CWI / CRY / HAB / UFT / ITA / RUA / FTG / MYG / LOD / PUS / FRO / FUP / KIA / POP / BLS / SPG / MEY / GOH / CHC / COM / ABZ / JAG / OBR / MOS / ROR  
 Fixture Material: Extruded Aluminum  
 Cut-out Measurements: Ø 55mm/2 3/16"

#### ELECTRICAL

Lamp Type: LED (Zhaga Standard)  
 Input Wattage (W): 8  
 Total Output Wattage (W): 7.3  
 Dimming: Non-dimming / DALI Dimming / MATTER Dimming  
 Driver Included: No  
 Driver Location: Remote  
 Driver Type: Constant Current - Universal  
 Driver Class: Class 2  
 Constant Current (MA): 250mA  
 Upon Request: 0-10V Dimming / Phase Dimming

#### LED

Color Temperature (°K): 2400 / 2700 / 3000 / 3500 / 4000  
 Max. Delivered Lumen (lm): Max 521  
 Nominal Lumen (lm): 920  
 Efficiency (%): 81.9%  
 Lamp Life (hrs): 50000

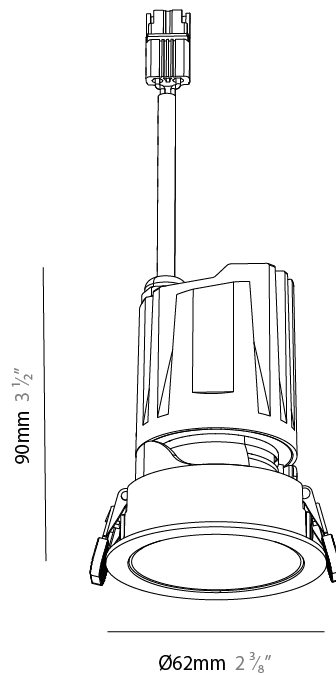
#### OPTICAL

Beam Angle: 10  
 Adjustability: Rotational 350° / Tilt 30°

#### RATINGS AND CERTIFICATIONS

Certified By: Certified for North American Standards  
 IP rating: IP65  
 Glare Rating: ≤ 10

PROJECT
TYPE
SPECIFIER
QUANTITY
DATE



A350190-

PROJECT

TYPE

SPECIFIER

QUANTITY

DATE



## BIONIQ EVO RECESSED

### A350191-

base number    Color    Finish    Finish    Lens  
 Temperature    Options    Options    Options

- To build a product code in our configurator select the specify button on the base model # product page
- To build a manual product code on this datasheet choose from the options listed below in blue font and add the suffix to the base model #

#### GENERAL

Series: Bioniq Evo  
 Partner: Prolicht  
 Division: Architectural  
 Installation: Recessed  
 Product Type: Downlight  
 Mounting Location: Ceiling  
 Light Distribution: Adjustable / Direct

#### PHYSICAL

Aperture Sizes - Downlights: 2"  
 Shape: Round  
 Diameter (mm): 62  
 Diameter (in): 2 3/8  
 Height (mm): 90  
 Depth (mm): 100  
 Height (in): 3 1/2  
 Depth (in): 3 15/16  
 Ceiling Thickness (mm): 2 - 15  
 Weight (kg): 0.4  
 Fixture Finish: [BLK / WHI / ARB / CHR](#)  
 Holder Finish: WHI / BLK  
 Fixture Material: Extruded Aluminum  
 Cut-out Measurements: Ø 55mm/2 3/16"

#### ELECTRICAL

Lamp Type: LED (Zhaga Standard)  
 Input Wattage (W): 8  
 Total Output Wattage (W): 7.3  
 Dimming: Non-dimming / DALI Dimming / MATTER Dimming  
 Driver Included: No  
 Driver Location: Remote  
 Driver Type: Constant Current - Universal  
 Driver Class: Class 2  
 Constant Current (MA): 250mA  
 Upon Request: 0-10V Dimming / Phase Dimming

#### LED

Color Temperature (°K): [2400 / 2700 / 3000 / 3500 / 4000](#)  
 Max. Delivered Lumen (lm): Max 521  
 Nominal Lumen (lm): 920  
 Efficiency (%): 81.9%  
 Lamp Life (hrs): 50000

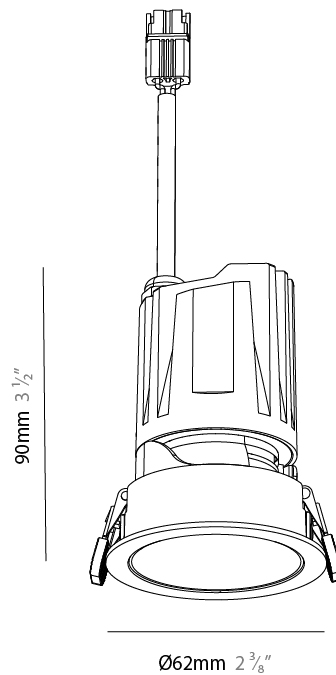
#### OPTICAL

Beam Angle: 10  
 Adjustability: Rotational 350° / Tilt 30°

#### RATINGS AND CERTIFICATIONS

Certified By: Certified for North American Standards  
 IP rating: IP65  
 Glare Rating: ≤ 10

PROJECT \_\_\_\_\_  
 TYPE \_\_\_\_\_  
 SPECIFIER \_\_\_\_\_  
 QUANTITY \_\_\_\_\_  
 DATE \_\_\_\_\_



A350191-

PROJECT

TYPE

SPECIFIER

QUANTITY

DATE



## BIONIQ EVO RECESSED

### A350192-

base number    Color Temperature    Finishes (Diamond)    Finishes (Triangle)    Lens Options    Beam Angle Options

- To build a product code in our configurator select the specify button on the base model # product page
- To build a manual product code on this datasheet choose from the options listed below in blue font and add the suffix to the base model #

#### GENERAL

Series: Bioniq Evo  
 Partner: Prolicht  
 Division: Architectural  
 Installation: Recessed  
 Product Type: Downlight  
 Mounting Location: Ceiling  
 Light Distribution: Adjustable / Direct

#### PHYSICAL

Aperture Sizes - Downlights: 3"  
 Shape: Round  
 Diameter (mm): 83  
 Diameter (in): 3 ¼  
 Height (mm): 100  
 Depth (mm): 105  
 Height (in): 4  
 Depth (in): 4 ⅛  
 Ceiling Thickness (mm): 2 - 20  
 Ceiling Thickness (in): 1/16 - 13/16  
 Weight (kg): 0.3  
 Fixture Finish: SSR / BKV / CWI / CRY / HAB / UFT / ITA / RUA / FTG / MYG / LOD / PUS / FRO / FUP / KIA / POP / BLS / SPG / MEY / GOH / CHC / COM / ABZ / JAG / OBR / MOS / ROR  
 Fixture Material: Extruded Aluminum  
 Cut-out Measurements: Ø. 75mm/2 15/16"

#### ELECTRICAL

Lamp Type: LED (Zhaga Standard)  
 Input Wattage (W): 12.8  
 Total Output Wattage (W): 11.8  
 Dimming: Non-dimming / DALI Dimming / MATTER Dimming  
 Driver Included: No  
 Driver Location: Remote  
 Driver Type: Constant Current - Universal  
 Driver Class: Class 2  
 Constant Current (MA): 350mA  
 Upon Request: 0-10V Dimming / Phase Dimming

#### LED

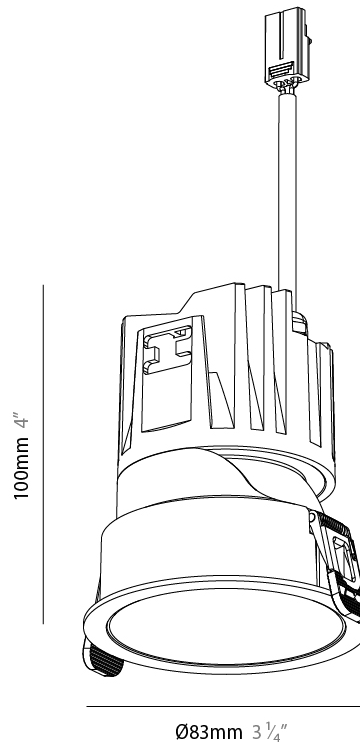
Color Temperature (°K): 2400 / 2700 / 3000 / 3500 / 4000  
 Max. Delivered Lumen (lm): Max 1502  
 Nominal Lumen (lm): 2006  
 CRI: >90 CRI  
 Efficiency (%): 81.9%  
 Lamp Life (hrs): 50000

#### OPTICAL

Beam Angle: 24 / 32 / 42  
 Adjustability: Rotational 350° / Tilt 30°

#### RATINGS AND CERTIFICATIONS

Certified By: Certified for North American Standards  
 IP rating: IP65  
 Glare Rating: ≤ 10



A350192-

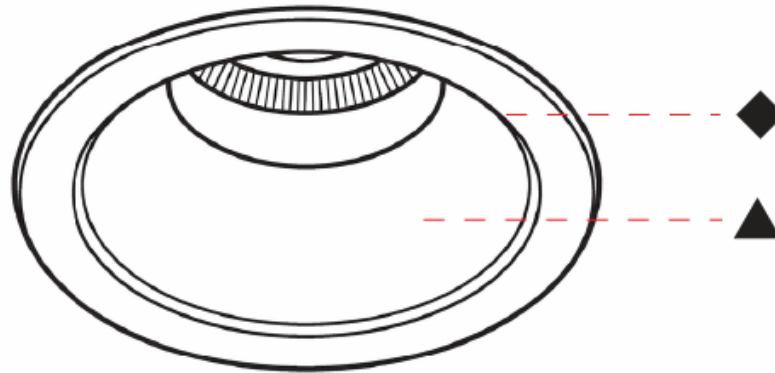
PROJECT \_\_\_\_\_

TYPE \_\_\_\_\_

SPECIFIER \_\_\_\_\_

QUANTITY \_\_\_\_\_

DATE \_\_\_\_\_



## BIONIQ EVO RECESSED

### A350193-

base number    Color Temperature    Finish Options    Finish Options    Lens Options    Beam Angle Options

- To build a product code in our configurator select the specify button on the base model # product page
- To build a manual product code on this datasheet choose from the options listed below in blue font and add the suffix to the base model #

#### GENERAL

Series: Bioniq Evo  
 Partner: Prolicht  
 Division: Architectural  
 Installation: Recessed  
 Product Type: Downlight  
 Mounting Location: Ceiling  
 Light Distribution: Adjustable / Direct

#### PHYSICAL

Aperture Sizes - Downlights: 3"  
 Shape: Round  
 Diameter (mm): 83  
 Diameter (in): 3 1/4  
 Height (mm): 100  
 Depth (mm): 105  
 Height (in): 4  
 Depth (in): 4 1/8  
 Ceiling Thickness (mm): 2 - 20  
 Ceiling Thickness (in): 1/16 - 13/16  
 Weight (kg): 0.3  
 Fixture Finish: [BLK](#) / [WHI](#) / [ARB](#) / [CHR](#)  
 Holder Finish: [WHI](#) / [BLK](#)  
 Fixture Material: Extruded Aluminum  
 Cut-out Measurements: Ø 75mm/2 15/16"

#### ELECTRICAL

Lamp Type: LED (Zhaga Standard)  
 Input Wattage (W): 12.8  
 Total Output Wattage (W): 11.8  
 Dimming: Non-dimming / DALI Dimming / MATTER Dimming  
 Driver Included: No  
 Driver Location: Remote  
 Driver Type: Constant Current - Universal  
 Driver Class: Class 2  
 Constant Current (MA): 350mA  
 Upon Request: 0-10V Dimming / Phase Dimming

#### LED

Color Temperature (°K): [2400](#) / [2700](#) / [3000](#) / [3500](#) / [4000](#)  
 Max. Delivered Lumen (lm): Max 1502  
 Nominal Lumen (lm): 2006  
 CRI: >90 CRI  
 Efficiency (%): 81.9%  
 Lamp Life (hrs): 50000

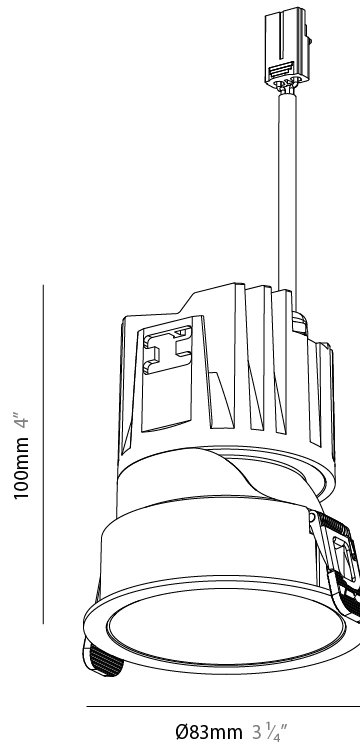
#### OPTICAL

Beam Angle: [24](#) / [32](#) / [42](#)  
 Adjustability: Rotational 350° / Tilt 30°

#### RATINGS AND CERTIFICATIONS

Certified By: Certified for North American Standards  
 IP rating: IP65  
 Glare Rating: ≤ 10

PROJECT	_____
TYPE	_____
SPECIFIER	_____
QUANTITY	_____
DATE	_____



A350193-

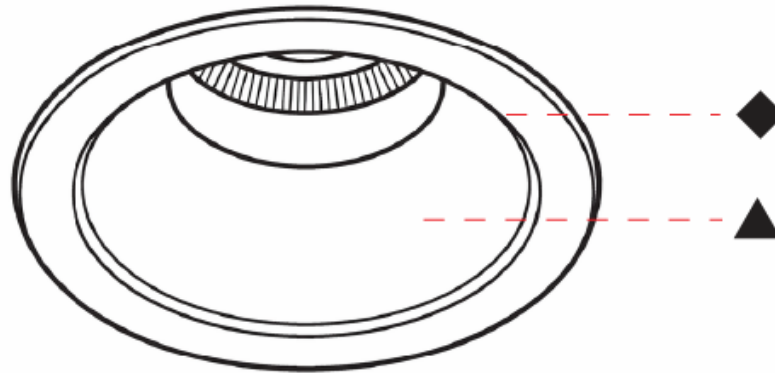
PROJECT

TYPE

SPECIFIER

QUANTITY

DATE



## BIONIQ EVO RECESSED

### A350194-

base number    Color    Finishes    Finishes    Lens  
 Temperature    (Diamond)    (Triangle)    Options

- To build a product code in our configurator select the specify button on the base model # product page
- To build a manual product code on this datasheet choose from the options listed below in blue font and add the suffix to the base model #

#### GENERAL

Series: Bioniq Evo  
 Partner: Prolicht  
 Division: Architectural  
 Installation: Recessed  
 Product Type: Downlight  
 Mounting Location: Ceiling  
 Light Distribution: Adjustable / Direct

#### PHYSICAL

Aperture Sizes - Downlights: 3"  
 Shape: Round  
 Diameter (mm): 83  
 Diameter (in): 3 1/4  
 Height (mm): 100  
 Depth (mm): 105  
 Height (in): 4  
 Depth (in): 4 1/8  
 Ceiling Thickness (mm): 2 - 20  
 Ceiling Thickness (in): 1/16 - 13/16  
 Weight (kg): 0.3  
 Fixture Finish: SSR / BKV / CWI / CRY / HAB / UFT / ITA / RUA / FTG / MYG / LOD / PUS / FRO / FUP / KIA / POP / BLS / SPG / MEY / GOH / CHC / COM / ABZ / JAG / OBR / MOS / ROR  
 Fixture Material: Extruded Aluminum  
 Cut-out Measurements: Ø 75mm/2 15/16"

#### ELECTRICAL

Lamp Type: LED (Zhaga Standard)  
 Input Wattage (W): 13  
 Total Output Wattage (W): 11.8  
 Dimming: Non-dimming / DALI Dimming / MATTER Dimming  
 Driver Included: No  
 Driver Location: Remote  
 Driver Type: Constant Current - Universal  
 Driver Class: Class 2  
 Constant Current (MA): 250mA  
 Upon Request: 0-10V Dimming / Phase Dimming

#### LED

Color Temperature (°K): 2400 / 2700 / 3000 / 3500 / 4000  
 Max. Delivered Lumen (lm): Max 698  
 Nominal Lumen (lm): Max 1231  
 CRI: >90 CRI  
 Efficiency (%): 81.9%  
 Lamp Life (hrs): 50000

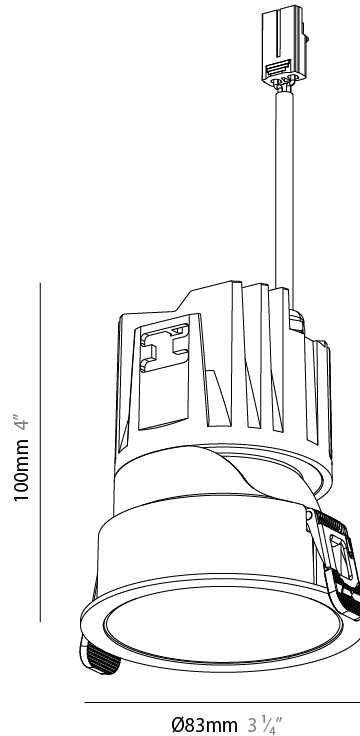
#### OPTICAL

Beam Angle: 10  
 Adjustability: Rotational 350° / Tilt 30°

#### RATINGS AND CERTIFICATIONS

Certified By: Certified for North American Standards  
 IP rating: IP65  
 Glare Rating: ≤ 10

PROJECT	_____
TYPE	_____
SPECIFIER	_____
QUANTITY	_____
DATE	_____



A350194-

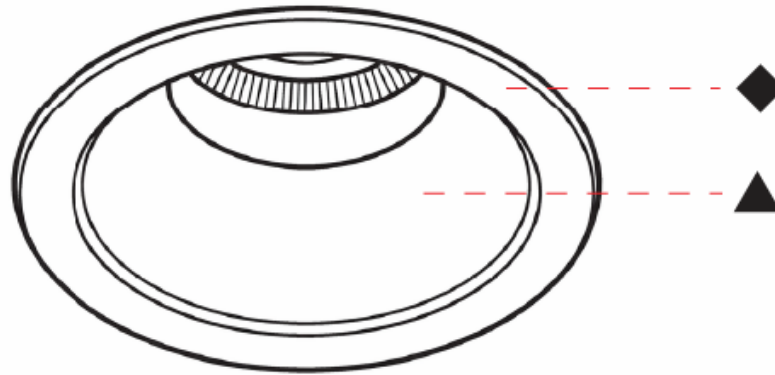
PROJECT

TYPE

SPECIFIER

QUANTITY

DATE



## BIONIQ EVO RECESSED

### A350195-

base number    Color    Finish    Finish    Lens  
 Temperature    Options    Options    Options

- To build a product code in our configurator select the specify button on the base model # product page
- To build a manual product code on this datasheet choose from the options listed below in blue font and add the suffix to the base model #

#### GENERAL

Series: Bioniq Evo  
 Partner: Prolicht  
 Division: Architectural  
 Installation: Recessed  
 Product Type: Downlight  
 Mounting Location: Ceiling  
 Light Distribution: Adjustable / Direct

#### PHYSICAL

Aperture Sizes - Downlights: 3"  
 Shape: Round  
 Diameter (mm): 83  
 Diameter (in): 3 1/4  
 Height (mm): 100  
 Depth (mm): 105  
 Height (in): 4  
 Depth (in): 4 1/8  
 Ceiling Thickness (mm): 2 - 20  
 Ceiling Thickness (in): 1/16 - 13/16  
 Weight (kg): 0.3  
 Fixture Finish: [BLK](#) / [WHI](#) / [ARB](#) / [CHR](#)  
 Holder Finish: [WHI](#) / [BLK](#)  
 Fixture Material: Extruded Aluminum  
 Cut-out Measurements: Ø 75mm/2 15/16"

#### ELECTRICAL

Lamp Type: LED (Zhaga Standard)  
 Input Wattage (W): 13  
 Total Output Wattage (W): 11.8  
 Dimming: Non-dimming / DALI Dimming / MATTER Dimming  
 Driver Included: No  
 Driver Location: Remote  
 Driver Type: Constant Current - Universal  
 Driver Class: Class 2  
 Constant Current (MA): 250mA  
 Upon Request: 0-10V Dimming / Phase Dimming

#### LED

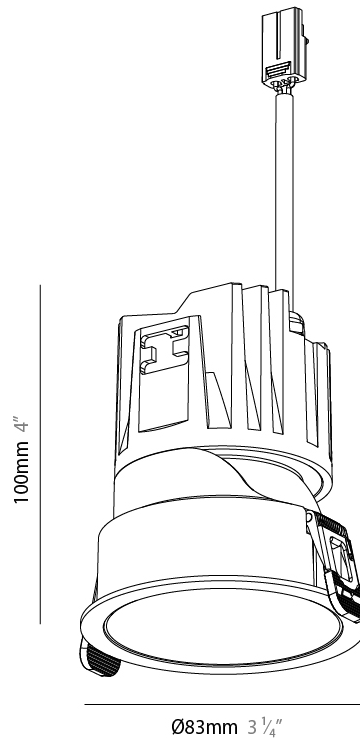
Color Temperature (°K): [2400](#) / [2700](#) / [3000](#) / [3500](#) / [4000](#)  
 Max. Delivered Lumen (lm): Max 698  
 Nominal Lumen (lm): Max 1231  
 CRI: >90 CRI  
 Efficiency (%): 81.9%  
 Lamp Life (hrs): 50000

#### OPTICAL

Beam Angle: 10  
 Adjustability: Rotational 350° / Tilt 30°

#### RATINGS AND CERTIFICATIONS

Certified By: Certified for North American Standards  
 IP rating: IP65  
 Glare Rating: ≤ 10



A350195-

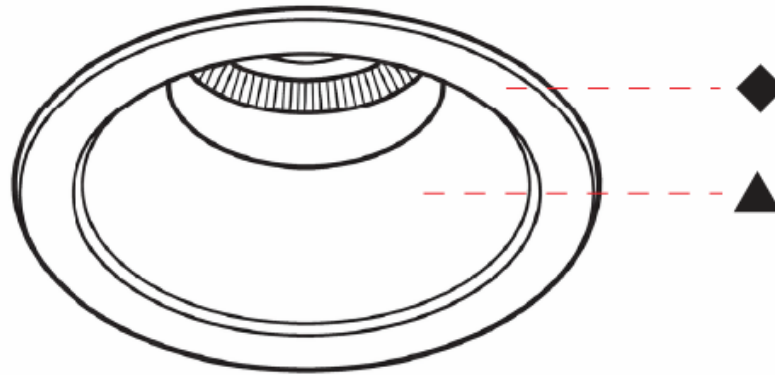
PROJECT

TYPE

SPECIFIER

QUANTITY

DATE



## BIONIQ EVO RECESSED

### A350196-

base number      Finishes (Diamond)      Finishes (Triangle)      Lens Options      Beam Angle Options

- To build a product code in our configurator select the specify button on the base model # product page
- To build a manual product code on this datasheet choose from the options listed below in blue font and add the suffix to the base model #

#### GENERAL

Series: Bioniq Evo  
 Partner: Prolicht  
 Division: Architectural  
 Installation: Recessed  
 Product Type: Downlight  
 Mounting Location: Ceiling  
 Light Distribution: Adjustable / Direct

#### PHYSICAL

Aperture Sizes - Downlights: 3"  
 Shape: Round  
 Diameter (mm): 83  
 Diameter (in): 3 1/4  
 Height (mm): 100  
 Depth (mm): 105  
 Height (in): 4  
 Depth (in): 4 1/8  
 Ceiling Thickness (mm): 2 - 20  
 Ceiling Thickness (in): 1/16 - 13/16  
 Weight (kg): 0.3  
 Fixture Finish: SSR / BKV / CWI / CRY / HAB / UFT / ITA / RUA / FTG / MYG / LOD / PUS / FRO / FUP / KIA / POP / BLS / SPG / MEY / GOH / CHC / COM / ABZ / JAG / OBR / MOS / ROR  
 Fixture Material: Extruded Aluminum  
 Cut-out Measurements: Ø 75mm/2 15/16"

#### ELECTRICAL

Lamp Type: LED (Zhaga Standard)  
 Input Wattage (W): 12.3  
 Dimming: Non-dimming / DALI Dimming / MATTER Dimming  
 Driver Included: No  
 Driver Location: Remote  
 Driver Type: Constant Current - Universal  
 Driver Class: Class 2  
 Constant Current (MA): 350mA  
 Upon Request: 0-10V Dimming / Phase Dimming

#### LED

Color Temperature (°K): 2700-6500 Tunable White  
 Max. Delivered Lumen (lm): Max 1119  
 Nominal Lumen (lm): Max 1495  
 CRI: >90 CRI  
 Efficiency (%): 90.8  
 Lamp Life (hrs): 50000

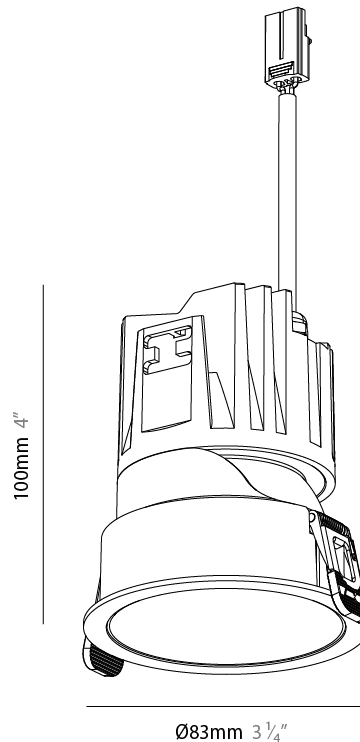
#### OPTICAL

Beam Angle: 24 / 32 / 42  
 Adjustability: Rotational 350° / Tilt 30°

#### RATINGS AND CERTIFICATIONS

Certified By: Certified for North American Standards  
 IP rating: IP65  
 Glare Rating: ≤ 10

PROJECT	_____
TYPE	_____
SPECIFIER	_____
QUANTITY	_____
DATE	_____



A350196-

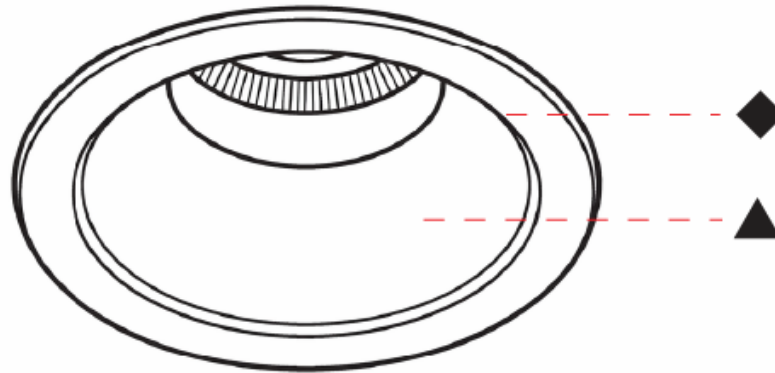
PROJECT

TYPE

SPECIFIER

QUANTITY

DATE



## BIONIQ EVO RECESSED

### A350197-

base number      Finish Options      Finish Options      Lens Options      Beam Angle Options

- To build a product code in our configurator select the specify button on the base model # product page
- To build a manual product code on this datasheet choose from the options listed below in blue font and add the suffix to the base model #

#### GENERAL

Series: Bioniq Evo  
 Partner: Prolicht  
 Division: Architectural  
 Installation: Recessed  
 Product Type: Downlight  
 Mounting Location: Ceiling  
 Light Distribution: Adjustable / Direct

#### PHYSICAL

Aperture Sizes - Downlights: 3"  
 Shape: Round  
 Diameter (mm): 83  
 Diameter (in): 3 ¼  
 Height (mm): 100  
 Depth (mm): 105  
 Height (in): 4  
 Depth (in): 4 ⅛  
 Ceiling Thickness (mm): 2 - 20  
 Ceiling Thickness (in): 1/16 - 13/16  
 Weight (kg): 0.3  
 Fixture Finish: [BLK](#) / [WHI](#) / [ARB](#) / [CHR](#)  
 Holder Finish: [WHI](#) / [BLK](#)  
 Fixture Material: Extruded Aluminum  
 Cut-out Measurements: Ø 75mm/2 15/16"

#### ELECTRICAL

Lamp Type: LED (Zhaga Standard)  
 Input Wattage (W): 12.3  
 Total Output Wattage (W): 10.9  
 Dimming: Non-dimming / DALI Dimming / MATTER Dimming  
 Driver Included: No  
 Driver Location: Remote  
 Driver Type: Constant Current - Universal  
 Driver Class: Class 2  
 Constant Current (MA): 350mA  
 Upon Request: 0-10V Dimming / Phase Dimming

#### LED

Color Temperature (°K): 2700-6500 Tunable White  
 Max. Delivered Lumen (lm): Max 1119  
 Nominal Lumen (lm): Max 1495  
 CRI: >90 CRI  
 Efficiency (%): 81.9%  
 Lamp Life (hrs): 50000

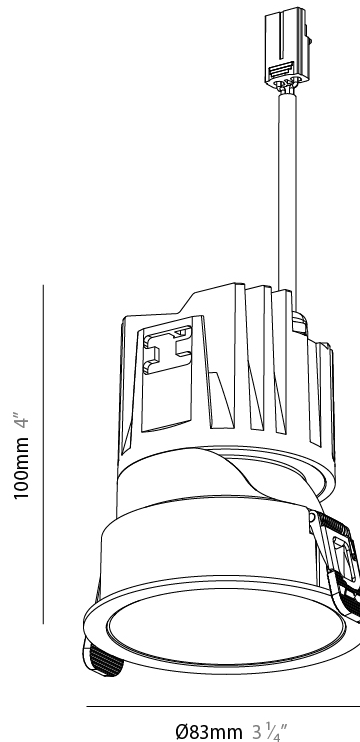
#### OPTICAL

Beam Angle: [24](#) / [32](#) / [42](#)  
 Adjustability: Rotational 350° / Tilt 30°

#### RATINGS AND CERTIFICATIONS

Certified By: Certified for North American Standards  
 IP rating: IP65  
 Glare Rating: ≤ 10

PROJECT \_\_\_\_\_  
 TYPE \_\_\_\_\_  
 SPECIFIER \_\_\_\_\_  
 QUANTITY \_\_\_\_\_  
 DATE \_\_\_\_\_



A350197-

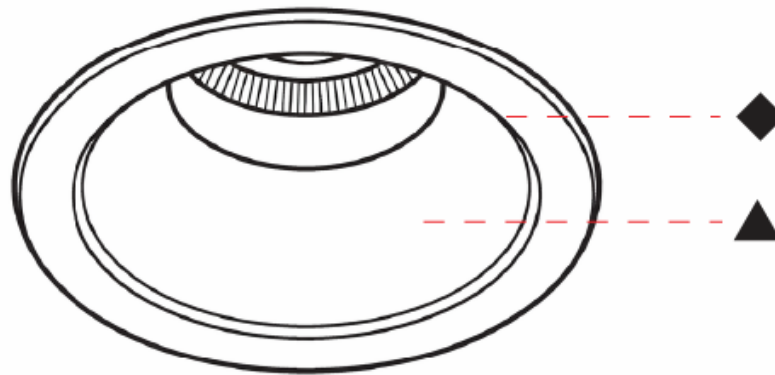
PROJECT

TYPE

SPECIFIER

QUANTITY

DATE



## BIONIQ EVO RECESSED

### A350198-

base number    Color    Finishes    Finishes    Lens    Beam Angle  
 Temperature    (Diamond)    (Triangle)    Options    Options

- To build a product code in our configurator select the specify button on the base model # product page
- To build a manual product code on this datasheet choose from the options listed below in blue font and add the suffix to the base model #

#### GENERAL

Series: Bioniq Evo  
 Partner: Prolicht  
 Division: Architectural  
 Installation: Recessed  
 Product Type: Downlight  
 Mounting Location: Ceiling  
 Light Distribution: Adjustable / Direct

#### PHYSICAL

Aperture Sizes - Downlights: 4"  
 Shape: Round  
 Diameter (mm): 108  
 Diameter (in): 4 ¼"  
 Height (mm): 127  
 Depth (mm): 135  
 Height (in): 5  
 Depth (in): 5 ⅝"  
 Ceiling Thickness (mm): 2 - 20  
 Ceiling Thickness (in): 1/16 - 13/16  
 Weight (kg): 0.7  
 Fixture Finish: SSR / BKV / CWI / CRY / HAB / UFT / ITA / RUA / FTG / MYG / LOD / PUS / FRO / FUP / KIA / POP / BLS / SPG / MEY / GOH / CHC / COM / ABZ / JAG / OBR / MOS / ROR  
 Fixture Material: Extruded Aluminum  
 Cut-out Measurements: Ø 95mm/3 3/4"

#### ELECTRICAL

Lamp Type: LED (Zhaga Standard)  
 Input Wattage (W): 21.9  
 Total Output Wattage (W): 20  
 Dimming: Non-dimming / DALI Dimming / MATTER Dimming  
 Driver Included: No  
 Driver Location: Remote  
 Driver Type: Constant Current - Universal  
 Driver Class: Class 2  
 Constant Current (mA): 500mA  
 Upon Request: 0-10V Dimming / Phase Dimming

#### LED

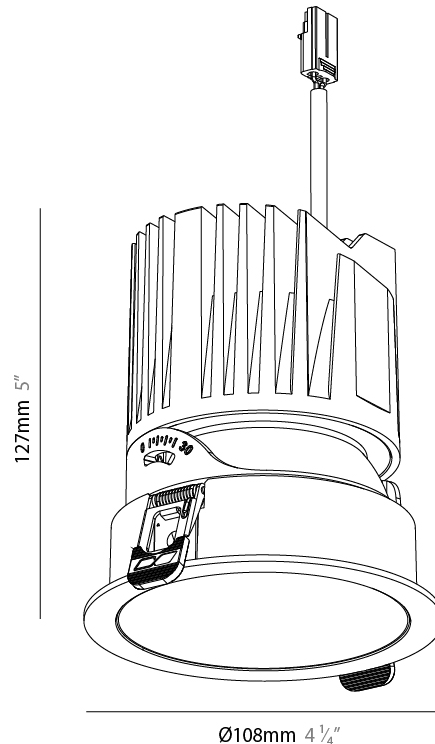
Color Temperature (°K): 2400 / 2700 / 3000 / 3500 / 4000  
 Max. Delivered Lumen (lm): Max 2583  
 Nominal Lumen (lm): Max 3490  
 CRI: >90 CRI  
 Efficiency (%): 107.2  
 Lamp Life (hrs): 50000

#### OPTICAL

Beam Angle: 26 / 34 / 46 / 56  
 Adjustability: Rotational 350° / Tilt 30°

#### RATINGS AND CERTIFICATIONS

Certified By: Certified for North American Standards  
 IP rating: IP65  
 Glare Rating: ≤ 10



A350198-

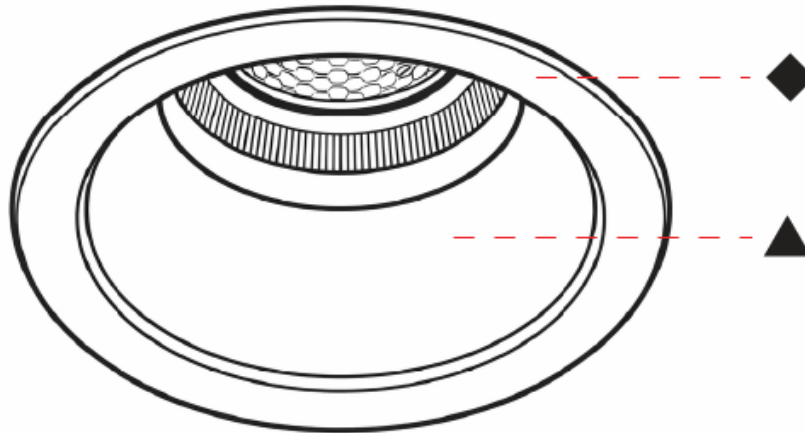
PROJECT

TYPE

SPECIFIER

QUANTITY

DATE



A

## BIONIQ EVO RECESSED

### A350199-

base number    Color Temperature    Finish Options    Finish Options    Lens Options    Beam Angle Options

- To build a product code in our configurator select the specify button on the base model # product page
- To build a manual product code on this datasheet choose from the options listed below in blue font and add the suffix to the base model #

#### GENERAL

Series: Bioniq Evo  
 Partner: Prolicht  
 Division: Architectural  
 Installation: Recessed  
 Product Type: Downlight  
 Mounting Location: Ceiling  
 Light Distribution: Adjustable / Direct

#### PHYSICAL

Aperture Sizes - Downlights: 4"  
 Shape: Round  
 Diameter (mm): 108  
 Diameter (in): 4 ¼"  
 Height (mm): 127  
 Depth (mm): 135  
 Height (in): 5  
 Depth (in): 5 ⅝"  
 Ceiling Thickness (mm): 2 - 20  
 Ceiling Thickness (in): 1/16 - 13/16  
 Weight (kg): 0.7  
 Fixture Finish: [BLK](#) / [WHI](#) / [ARB](#) / [CHR](#)  
 Holder Finish: [WHI](#) / [BLK](#)  
 Fixture Material: Extruded Aluminum  
 Cut-out Measurements: Ø95mm/3 3/4"

#### ELECTRICAL

Lamp Type: LED (Zhaga Standard)  
 Input Wattage (W): 21.9  
 Total Output Wattage (W): 20  
 Dimming: Non-dimming / DALI Dimming / MATTER Dimming  
 Driver Included: No  
 Driver Location: Remote  
 Driver Type: Constant Current - Universal  
 Driver Class: Class 2  
 Constant Current (MA): 500mA  
 Upon Request: 0-10V Dimming / Phase Dimming

#### LED

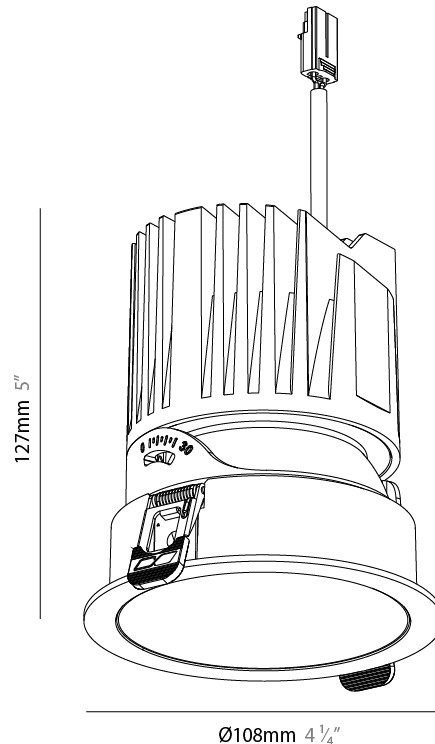
Color Temperature (°K): [2400](#) / [2700](#) / [3000](#) / [3500](#) / [4000](#)  
 Max. Delivered Lumen (lm): Max 2583  
 Nominal Lumen (lm): Max 3490  
 CRI: >90 CRI  
 Efficiency (%): 107.2  
 Lamp Life (hrs): 50000

#### OPTICAL

Beam Angle: [26](#) / [34](#) / [46](#) / [56](#)  
 Adjustability: Rotational 350° / Tilt 30°

#### RATINGS AND CERTIFICATIONS

Certified By: Certified for North American Standards  
 IP rating: IP65  
 Glare Rating: ≤ 10



A350199-

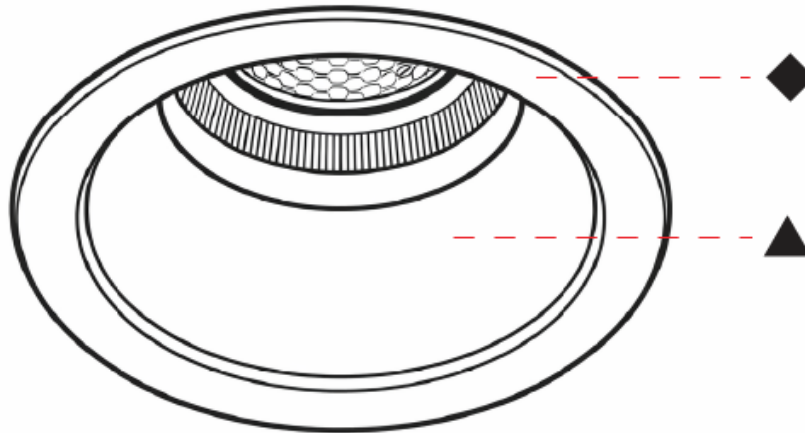
PROJECT

TYPE

SPECIFIER

QUANTITY

DATE



## BIONIQ EVO RECESSED

### A350200-

base number      Finishes (Diamond)      Finishes (Triangle)      Lens Options      Beam Angle Options

- To build a product code in our configurator select the specify button on the base model # product page
- To build a manual product code on this datasheet choose from the options listed below in blue font and add the suffix to the base model #

#### GENERAL

Series: Bioniq Evo  
 Partner: Prolicht  
 Division: Architectural  
 Installation: Recessed  
 Product Type: Downlight  
 Mounting Location: Ceiling  
 Light Distribution: Adjustable / Direct

#### PHYSICAL

Aperture Sizes - Downlights: 4"  
 Shape: Round  
 Diameter (mm): 108  
 Diameter (in): 4 1/4  
 Height (mm): 127  
 Depth (mm): 135  
 Height (in): 5  
 Depth (in): 5 3/16  
 Ceiling Thickness (mm): 2 - 20  
 Ceiling Thickness (in): 1/16 - 13/16  
 Weight (kg): 0.7  
 Fixture Finish: SSR / BKV / CWI / CRY / HAB / UFT / ITA / RUA / FTG / MYG / LOD / PUS / FRO / FUP / KIA / POP / BLS / SPG / MEY / GOH / CHC / COM / ABZ / JAG / OBR / MOS / ROR  
 Fixture Material: Extruded Aluminum  
 Cut-out Measurements: Ø 95mm/3 3/4"

#### ELECTRICAL

Lamp Type: LED (Zhaga Standard)  
 Input Wattage (W): 19.9  
 Total Output Wattage (W): 18.2  
 Dimming: Non-dimming / DALI Dimming / MATTER Dimming  
 Driver Included: No  
 Driver Location: Remote  
 Driver Type: Constant Current - Universal  
 Driver Class: Class 2  
 Constant Current (mA): 500mA  
 Upon Request: 0-10V Dimming / Phase Dimming

#### LED

Color Temperature (°K): 2700-6500 Tunable White  
 Max. Delivered Lumen (lm): Max 1906  
 Nominal Lumen (lm): Max 2385  
 CRI: >90 CRI  
 Efficiency (%): 95.6  
 Lamp Life (hrs): 50000

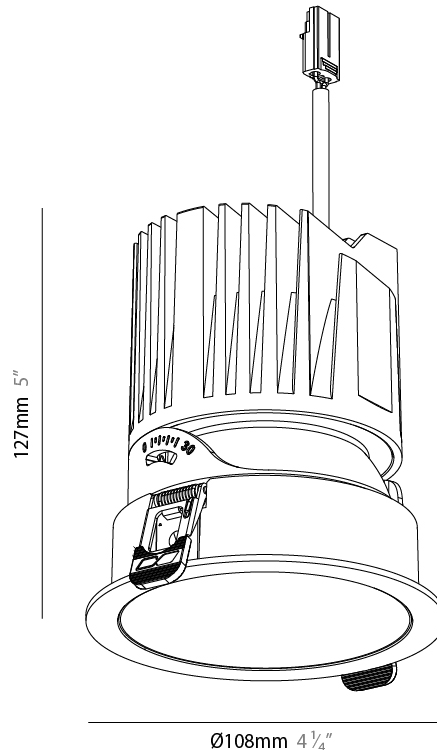
#### OPTICAL

Beam Angle: 26 / 34 / 46 / 56  
 Adjustability: Rotational 350° / Tilt 30°

#### RATINGS AND CERTIFICATIONS

Certified By: Certified for North American Standards  
 IP rating: IP65  
 Glare Rating: ≤ 10

PROJECT	
TYPE	
SPECIFIER	
QUANTITY	
DATE	



A350200-

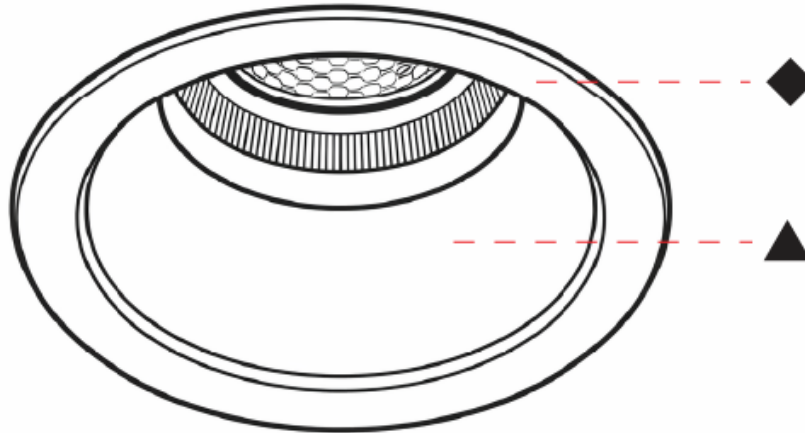
PROJECT

TYPE

SPECIFIER

QUANTITY

DATE



## BIONIQ EVO RECESSED

### A350201-

base number    Finish Options    Finish Options    Lens Options    Beam Angle Options

- To build a product code in our configurator select the specify button on the base model # product page
- To build a manual product code on this datasheet choose from the options listed below in blue font and add the suffix to the base model #

#### GENERAL

Series: Bioniq Evo  
 Partner: Prolicht  
 Division: Architectural  
 Installation: Recessed  
 Product Type: Downlight  
 Mounting Location: Ceiling  
 Light Distribution: Adjustable / Direct

#### PHYSICAL

Aperture Sizes - Downlights: 4"  
 Shape: Round  
 Diameter (mm): 108  
 Diameter (in): 4 1/4"  
 Height (mm): 127  
 Depth (mm): 135  
 Height (in): 5  
 Depth (in): 5 3/16"  
 Ceiling Thickness (mm): 2 - 20  
 Ceiling Thickness (in): 1/16 - 13/16  
 Weight (kg): 0.7  
 Fixture Finish: [BLK](#) / [WHI](#) / [ARB](#) / [CHR](#)  
 Holder Finish: [WHI](#) / [BLK](#)  
 Fixture Material: Extruded Aluminum  
 Cut-out Measurements: Ø 75mm/2 15/16"

#### ELECTRICAL

Lamp Type: LED (Zhaga Standard)  
 Input Wattage (W): 19.9  
 Total Output Wattage (W): 18.2  
 Dimming: Non-dimming / DALI Dimming / MATTER Dimming  
 Driver Included: No  
 Driver Location: Remote  
 Driver Type: Constant Current - Universal  
 Driver Class: Class 2  
 Constant Current (MA): 500mA  
 Upon Request: 0-10V Dimming / Phase Dimming

#### LED

Color Temperature (°K): 2700-6500 Tunable White  
 Max. Delivered Lumen (lm): Max 1906  
 Nominal Lumen (lm): Max 2385  
 CRI: >90 CRI  
 Efficiency (%): 95.6  
 Lamp Life (hrs): 50000

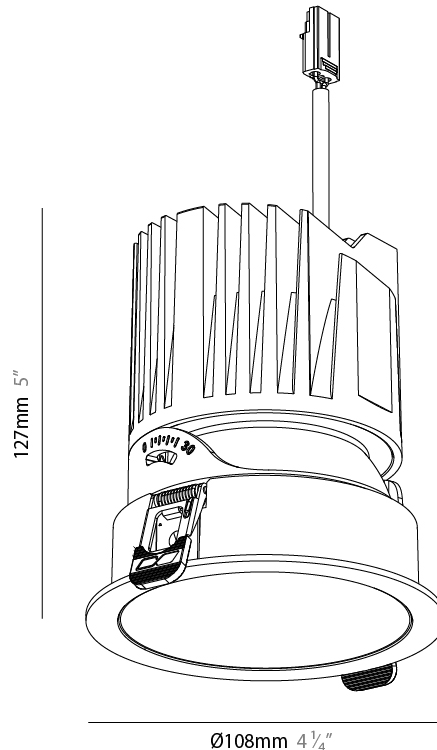
#### OPTICAL

Beam Angle: [26](#) / [34](#) / [46](#) / [56](#)  
 Adjustability: Rotational 350° / Tilt 30°

#### RATINGS AND CERTIFICATIONS

Certified By: Certified for North American Standards  
 IP rating: IP65  
 Glare Rating: ≤ 10

PROJECT	_____
TYPE	_____
SPECIFIER	_____
QUANTITY	_____
DATE	_____



A350201-

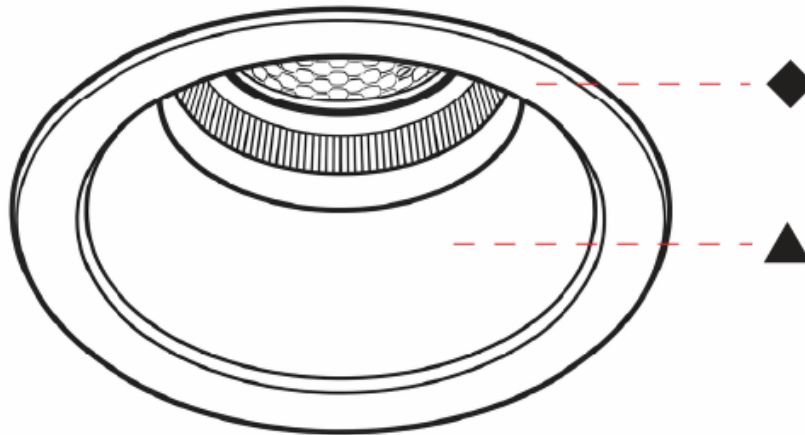
PROJECT

TYPE

SPECIFIER

QUANTITY

DATE



## BIONIQ EVO TRIMLESS

### A350202-

base number    Color    Finishes    Lens    Beam Angle  
 Temperature    (Diamond)    Options    Options

- To build a product code in our configurator select the specify button on the base model # product page
- To build a manual product code on this datasheet choose from the options listed below in blue font and add the suffix to the base model #

#### GENERAL

Series: Bioniq Evo  
 Partner: Prolicht  
 Division: Architectural  
 Installation: Trimless  
 Product Type: Downlight  
 Mounting Location: Ceiling  
 Light Distribution: Adjustable / Direct

#### PHYSICAL

Aperture Sizes - Downlights: 2"  
 Shape: Round  
 Diameter (mm): 90  
 Diameter (in): 3 1/2  
 Height (mm): 85  
 Depth (mm): 100  
 Height (in): 3 3/8  
 Depth (in): 3 15/16  
 Ceiling Thickness (mm): 10 - 50  
 Ceiling Thickness (in): 3/8 - 1 15/16  
 Weight (kg): 0.8  
 Fixture Finish: SSR / BKV / CWI / CRY / HAB / UFT / ITA / RUA / FTG / MYG / LOD / PUS / FRO / FUP / KIA / POP / BLS / SPG / MEY / GOH / CHC / COM / ABZ / JAG / OBR / MOS / ROR  
 Fixture Material: Extruded Aluminum  
 Cut-out Measurements: Ø 55mm/2 3/16"

#### ELECTRICAL

Lamp Type: LED (Zhaga Standard)  
 Input Wattage (W): 9.2  
 Total Output Wattage (W): 8.2  
 Dimming: Non-dimming / DALI Dimming / MATTER Dimming  
 Driver Included: No  
 Driver Location: Remote  
 Driver Type: Constant Current - Universal  
 Driver Class: Class 2  
 Constant Current (MA): 250mA  
 Upon Request: 0-10V Dimming / Phase Dimming

#### LED

Color Temperature (°K): 2400 / 2700 / 3000 / 3500 / 4000  
 Max. Delivered Lumen (lm): Max 922  
 Nominal Lumen (lm): 1456  
 CRI: >90 CRI  
 Efficiency (%): 100.7  
 Lamp Life (hrs): 50000

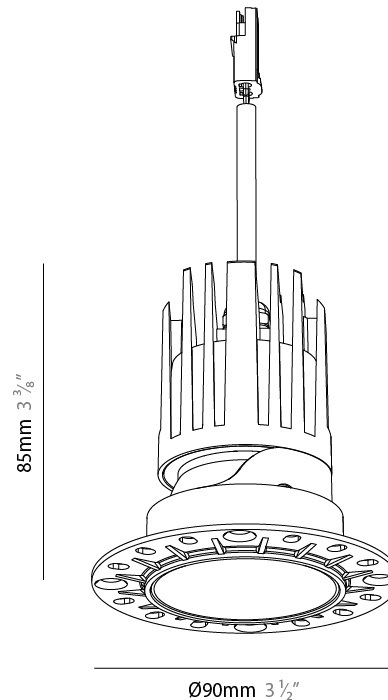
#### OPTICAL

Beam Angle: 24 / 32 / 46 / 56  
 Adjustability: Rotational 350° / Tilt 30°

#### RATINGS AND CERTIFICATIONS

Certified By: Certified for North American Standards  
 IP rating: IP65  
 Glare Rating: ≤ 10

PROJECT
TYPE
SPECIFIER
QUANTITY
DATE



A350202-

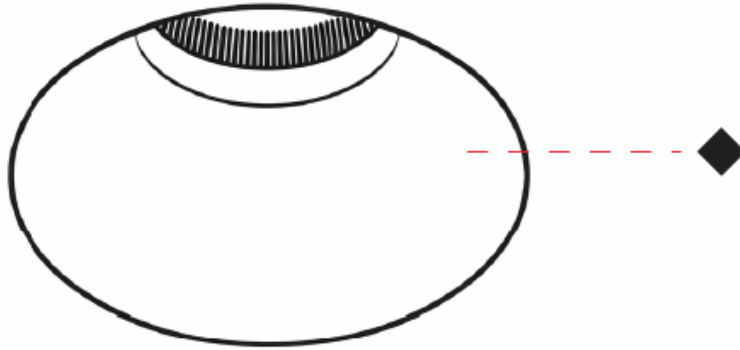
PROJECT

TYPE

SPECIFIER

QUANTITY

DATE



## BIONIQ EVO TRIMLESS

### A350203-

base number    Color    Finish    Lens    Beam Angle  
 Temperature    Options    Options    Options

- To build a product code in our configurator select the specify button on the base model # product page
- To build a manual product code on this datasheet choose from the options listed below in blue font and add the suffix to the base model #

#### GENERAL

Series: Bioniq Evo  
 Partner: Prolicht  
 Division: Architectural  
 Installation: Trimless  
 Product Type: Downlight  
 Mounting Location: Ceiling  
 Light Distribution: Adjustable / Direct

#### PHYSICAL

Aperture Sizes - Downlights: 2"  
 Shape: Round  
 Diameter (mm): 90  
 Diameter (in): 3 1/2  
 Height (mm): 85  
 Depth (mm): 100  
 Height (in): 3 3/8  
 Depth (in): 3 15/16  
 Ceiling Thickness (mm): 10 - 50  
 Ceiling Thickness (in): 3/8 - 1 15/16  
 Weight (kg): 0.4  
 Fixture Finish: [BLK / WHI / ARB / CHR](#)  
 Fixture Material: Extruded Aluminum  
 Cut-out Measurements: Ø 55mm/2 3/16"

#### ELECTRICAL

Lamp Type: LED (Zhaga Standard)  
 Input Wattage (W): 9.2  
 Total Output Wattage (W): 8.2  
 Dimming: Non-dimming / DALI Dimming / MATTER Dimming  
 Driver Included: No  
 Driver Location: Remote  
 Driver Type: Constant Current - Universal  
 Driver Class: Class 2  
 Constant Current (MA): 250mA  
 Upon Request: 0-10V Dimming / Phase Dimming

#### LED

Color Temperature (\*K): [2400 / 2700 / 3000 / 3500 / 4000](#)  
 Max. Delivered Lumen (lm): Max 922  
 Nominal Lumen (lm): 1456  
 CRI: >90 CRI  
 Efficiency (%): 100.7  
 Lamp Life (hrs): 50000

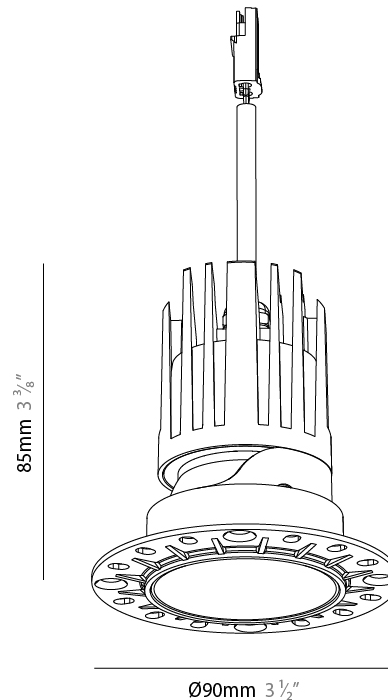
#### OPTICAL

Beam Angle: [24 / 32 / 46 / 56](#)  
 Adjustability: Rotational 350° / Tilt 30°

#### RATINGS AND CERTIFICATIONS

Certified By: Certified for North American Standards  
 IP rating: IP65  
 Glare Rating: ≤ 10

PROJECT
TYPE
SPECIFIER
QUANTITY
DATE



A350203-

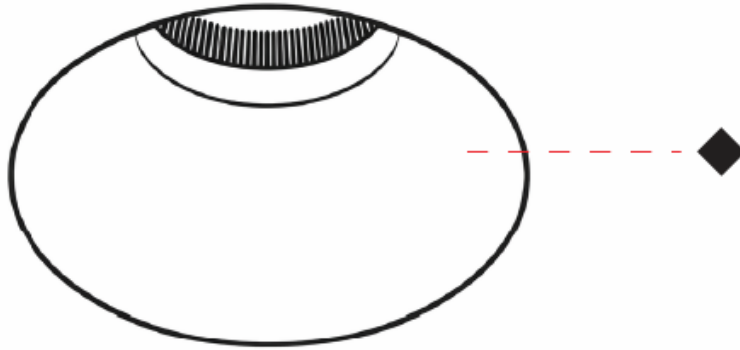
PROJECT

TYPE

SPECIFIER

QUANTITY

DATE



## BIONIQ EVO TRIMLESS

### A350204-

base number      Color      Finishes      Lens  
 Temperature      (Diamond)      Options

- To build a product code in our configurator select the specify button on the base model # product page
- To build a manual product code on this datasheet choose from the options listed below in blue font and add the suffix to the base model #

#### GENERAL

Series: Bioniq Evo  
 Partner: Prolicht  
 Division: Architectural  
 Installation: Trimless  
 Product Type: Downlight  
 Mounting Location: Ceiling  
 Light Distribution: Adjustable / Direct

#### PHYSICAL

Aperture Sizes - Downlights: 2"  
 Shape: Round  
 Diameter (mm): 90  
 Diameter (in): 3 1/2  
 Height (mm): 85  
 Depth (mm): 100  
 Height (in): 3 3/8  
 Depth (in): 3 15/16  
 Ceiling Thickness (mm): 10 - 50  
 Ceiling Thickness (in): 3/8 - 1 15/16  
 Weight (kg): 0.8  
 Fixture Finish: SSR / BKV / CWI / CRY / HAB / UFT / ITA / RUA / FTG / MYG / LOD / PUS / FRO / FUP / KIA / POP / BLS / SPG / MEY / GOH / CHC / COM / ABZ / JAG / OBR / MOS / ROR  
 Fixture Material: Extruded Aluminum  
 Cut-out Measurements: Ø 55mm/2 3/16"

#### ELECTRICAL

Lamp Type: LED (Zhaga Standard)  
 Input Wattage (W): 8  
 Total Output Wattage (W): 7.3  
 Dimming: Non-dimming / DALI Dimming / MATTER Dimming  
 Driver Included: No  
 Driver Location: Remote  
 Driver Type: Constant Current - Universal  
 Driver Class: Class 2  
 Constant Current (MA): 250mA  
 Upon Request: 0-10V Dimming / Phase Dimming

#### LED

Color Temperature (°K): 2400 / 2700 / 3000 / 3500 / 4000  
 Max. Delivered Lumen (lm): Max 521  
 Nominal Lumen (lm): 920  
 CRI: >90 CRI  
 Efficiency (%): 64.9  
 Lamp Life (hrs): 50000

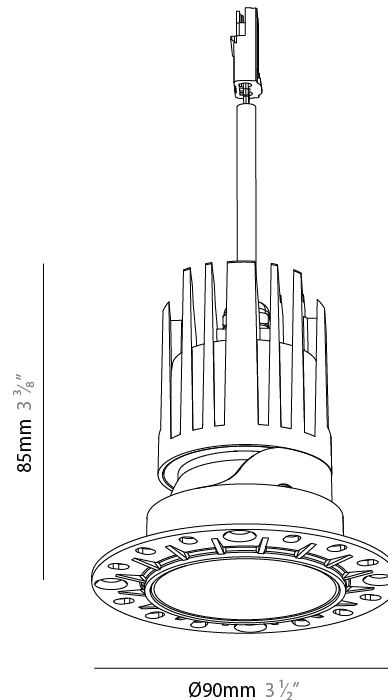
#### OPTICAL

Beam Angle: 10  
 Adjustability: Rotational 350° / Tilt 30°

#### RATINGS AND CERTIFICATIONS

Certified By: Certified for North American Standards  
 IP rating: IP65  
 Glare Rating: ≤ 10

PROJECT
TYPE
SPECIFIER
QUANTITY
DATE



A350204-

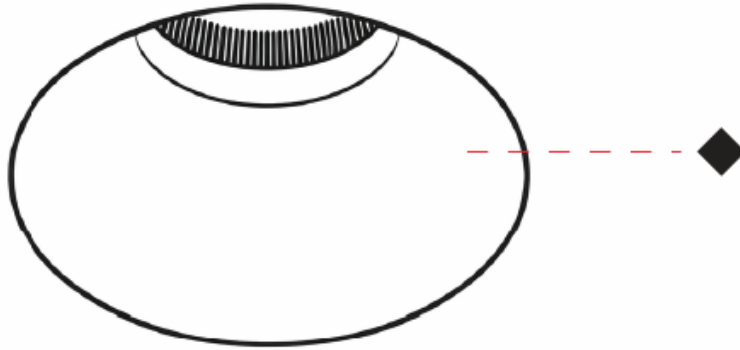
PROJECT

TYPE

SPECIFIER

QUANTITY

DATE



## BIONIQ EVO TRIMLESS

### A350206-

base number    Color    Finishes    Lens    Beam Angle  
 Temperature    (Diamond)    Options    Options

- To build a product code in our configurator select the specify button on the base model # product page
- To build a manual product code on this datasheet choose from the options listed below in blue font and add the suffix to the base model #

#### GENERAL

Series: Bioniq Evo  
 Partner: Prolicht  
 Division: Architectural  
 Installation: Trimless  
 Product Type: Downlight  
 Mounting Location: Ceiling  
 Light Distribution: Adjustable / Direct

#### PHYSICAL

Aperture Sizes - Downlights: 3"  
 Shape: Round  
 Diameter (mm): 95  
 Diameter (in): 3 ¾  
 Height (mm): 95  
 Depth (mm): 105  
 Height (in): 3 ¾  
 Depth (in): 4 ⅛  
 Ceiling Thickness (mm): 10 - 50  
 Ceiling Thickness (in): 3/8 - 1 15/16  
 Weight (kg): 0.3  
 Fixture Finish: SSR / BKV / CWI / CRY / HAB / UFT / ITA / RUA / FTG / MYG / LOD / PUS / FRO / FUP / KIA / POP / BLS / SPG / MEY / GOH / CHC / COM / ABZ / JAG / OBR / MOS / ROR  
 Fixture Material: Extruded Aluminum  
 Cut-out Measurements: Ø 75mm/2 15/16"

#### ELECTRICAL

Lamp Type: LED (Zhaga Standard)  
 Input Wattage (W): 12.8  
 Total Output Wattage (W): 11.8  
 Dimming: Non-dimming / DALI Dimming / MATTER Dimming  
 Driver Included: No  
 Driver Location: Remote  
 Driver Type: Constant Current - Universal  
 Driver Class: Class 2  
 Constant Current (mA): 350mA  
 Upon Request: 0-10V Dimming / Phase Dimming

#### LED

Color Temperature (°K): 2400 / 2700 / 3000 / 3500 / 4000  
 Max. Delivered Lumen (lm): Max 1502  
 Nominal Lumen (lm): 2006  
 CRI: >90 CRI  
 Efficiency (%): 117  
 Lamp Life (hrs): 50000

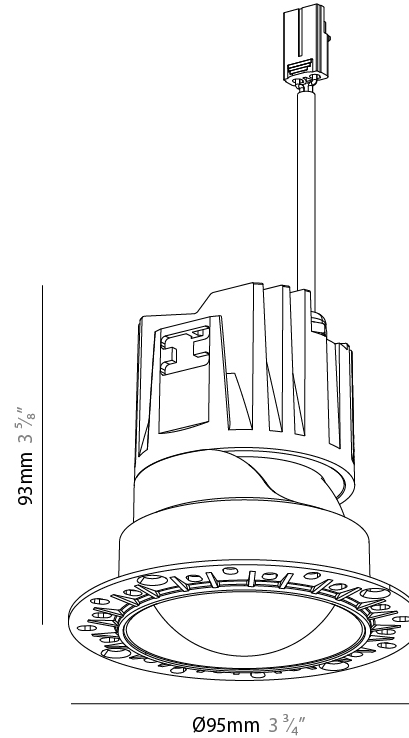
#### OPTICAL

Beam Angle: 24 / 32 / 42  
 Adjustability: Rotational 350° / Tilt 30°

#### RATINGS AND CERTIFICATIONS

Certified By: Certified for North American Standards  
 IP rating: IP65  
 Glare Rating: ≤ 10

PROJECT
TYPE
SPECIFIER
QUANTITY
DATE



A350206-

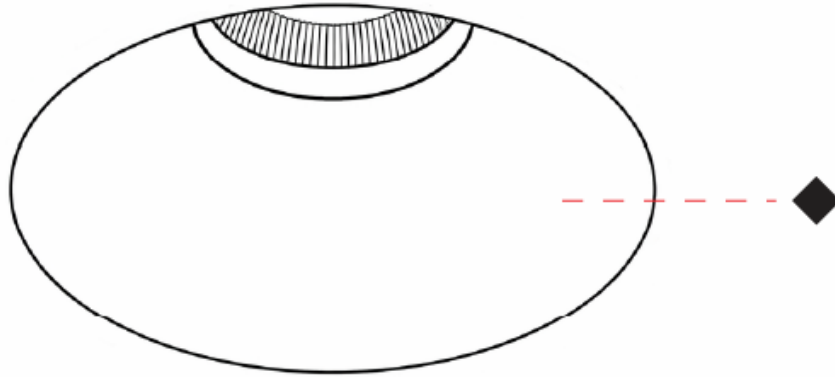
PROJECT

TYPE

SPECIFIER

QUANTITY

DATE



## BIONIQ EVO TRIMLESS

### A350207-

base number    Color    Finish    Lens    Beam Angle  
 Temperature    Options    Options    Options

- To build a product code in our configurator select the specify button on the base model # product page
- To build a manual product code on this datasheet choose from the options listed below in blue font and add the suffix to the base model #

#### GENERAL

Series: Bioniq Evo  
 Partner: Prolicht  
 Division: Architectural  
 Installation: Trimless  
 Product Type: Downlight  
 Mounting Location: Ceiling  
 Light Distribution: Adjustable / Direct

#### PHYSICAL

Shape: Round  
 Diameter (mm): 95  
 Diameter (in): 3 3/4  
 Height (mm): 95  
 Depth (mm): 105  
 Height (in): 3 3/4  
 Depth (in): 4 1/8  
 Ceiling Thickness (mm): 10 - 50  
 Ceiling Thickness (in): 3/8 - 1 15/16  
 Weight (kg): 0.3  
 Fixture Finish: [BLK / WHI / ARB / CHR](#)  
 Fixture Material: Extruded Aluminum  
 Cut-out Measurements: Ø 75mm/2 15/16"

#### ELECTRICAL

Lamp Type: LED (Zhaga Standard)  
 Input Wattage (W): 12.8  
 Total Output Wattage (W): 11.8  
 Dimming: Non-dimming / DALI Dimming / MATTER Dimming  
 Driver Included: No  
 Driver Location: Remote  
 Driver Type: Constant Current - Universal  
 Driver Class: Class 2  
 Constant Current (MA): 350mA  
 Upon Request: 0-10V Dimming / Phase Dimming

#### LED

Color Temperature (°K): [2400 / 2700 / 3000 / 3500 / 4000](#)  
 Max. Delivered Lumen (lm): Max 1502  
 Nominal Lumen (lm): 2006  
 CRI: >90 CRI  
 Efficiency (%): 117  
 Lamp Life (hrs): 50000

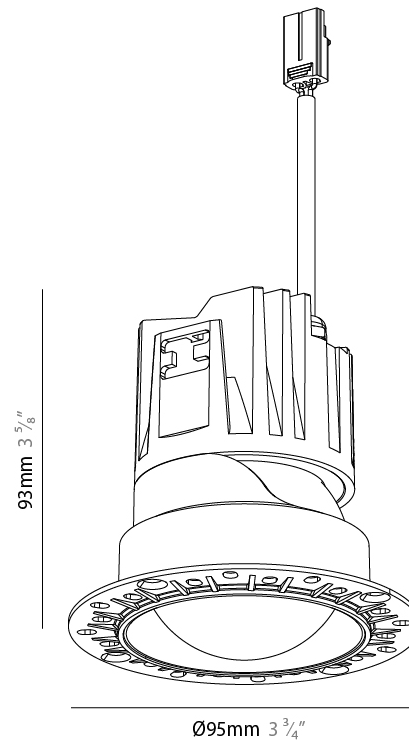
#### OPTICAL

Beam Angle: [24 / 32 / 42](#)  
 Adjustability: Rotational 350° / Tilt 30°

#### RATINGS AND CERTIFICATIONS

Certified By: Certified for North American Standards  
 IP rating: IP65  
 Glare Rating: ≤ 10

PROJECT
TYPE
SPECIFIER
QUANTITY
DATE



A350207-

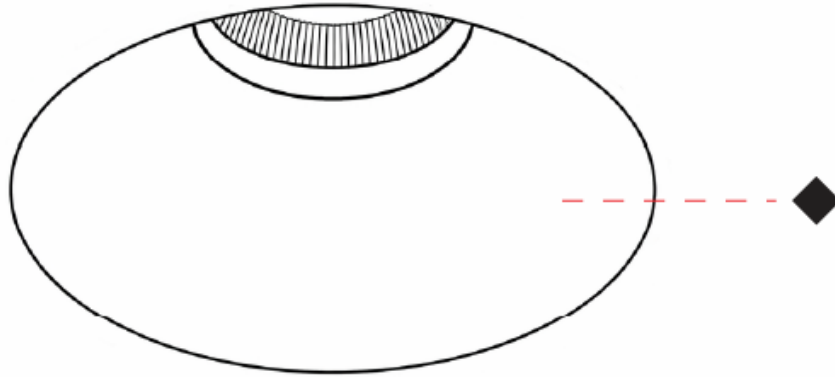
PROJECT

TYPE

SPECIFIER

QUANTITY

DATE



A

## BIONIQ EVO TRIMLESS

### A350208-

base number      Color      Finishes      Lens  
 Temperature      (Diamond)      Options

- To build a product code in our configurator select the specify button on the base model # product page
- To build a manual product code on this datasheet choose from the options listed below in blue font and add the suffix to the base model #

#### GENERAL

Series: Bioniq Evo  
 Partner: Prolicht  
 Division: Architectural  
 Installation: Trimless  
 Product Type: Downlight  
 Mounting Location: Ceiling  
 Light Distribution: Adjustable / Direct

#### PHYSICAL

Aperture Sizes - Downlights: 3"  
 Shape: Round  
 Diameter (mm): 67  
 Diameter (in): 2 5/8  
 Height (mm): 95  
 Depth (mm): 105  
 Height (in): 3 3/4  
 Depth (in): 4 1/8  
 Ceiling Thickness (mm): 10 - 50  
 Ceiling Thickness (in): 3/8 - 1 15/16  
 Weight (kg): 0.3  
 Fixture Finish: SSR / BKV / CWI / CRY / HAB / UFT / ITA / RUA / FTG / MYG / LOD / PUS / FRO / FUP / KIA / POP / BLS / SPG / MEY / GOH / CHC / COM / ABZ / JAG / OBR / MOS / ROR  
 Fixture Material: Extruded Aluminum  
 Cut-out Measurements: Ø 75mm/2 15/16"

#### ELECTRICAL

Lamp Type: LED (Zhaga Standard)  
 Input Wattage (W): 12.8  
 Total Output Wattage (W): 11.8  
 Dimming: Non-dimming / DALI Dimming / MATTER Dimming  
 Driver Included: No  
 Driver Location: Remote  
 Driver Type: Constant Current - Universal  
 Driver Class: Class 2  
 Constant Current (MA): 350mA  
 Upon Request: 0-10V Dimming / Phase Dimming

#### LED

Color Temperature (°K): 2400 / 2700 / 3000 / 3500 / 4000  
 Max. Delivered Lumen (lm): Max 604  
 Nominal Lumen (lm): Max 1065  
 CRI: >90 CRI  
 Efficiency (%): 47  
 Lamp Life (hrs): 50000

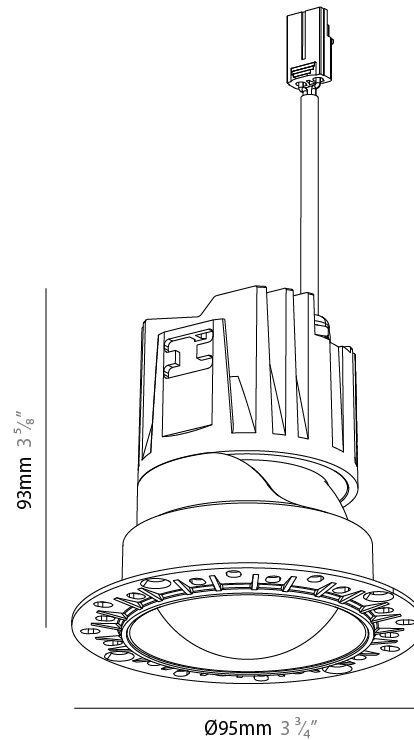
#### OPTICAL

Beam Angle: 10  
 Adjustability: Rotational 350° / Tilt 30°

#### RATINGS AND CERTIFICATIONS

Certified By: Certified for North American Standards  
 IP rating: IP65  
 Glare Rating: ≤ 10

PROJECT
TYPE
SPECIFIER
QUANTITY
DATE



A350208-

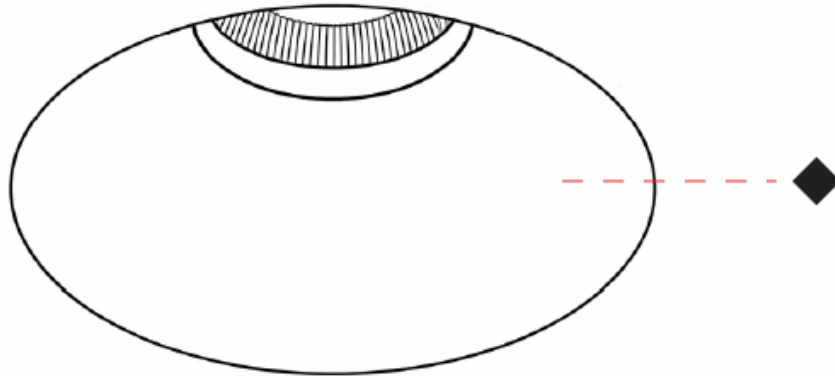
PROJECT

TYPE

SPECIFIER

QUANTITY

DATE



A

## BIONIQ EVO TRIMLESS

### A350209-

base number    Color    Finish    Lens  
 Temperature    Options    Options

- To build a product code in our configurator select the specify button on the base model # product page
- To build a manual product code on this datasheet choose from the options listed below in blue font and add the suffix to the base model #

#### GENERAL

Series: Bioniq Evo  
 Partner: Prolicht  
 Division: Architectural  
 Installation: Trimless  
 Product Type: Downlight  
 Mounting Location: Ceiling  
 Light Distribution: Adjustable / Direct

#### PHYSICAL

Aperture Sizes - Downlights: 3"  
 Shape: Round  
 Diameter (mm): 95  
 Diameter (in): 3 3/4  
 Height (mm): 93  
 Depth (mm): 105  
 Height (in): 3 5/8  
 Depth (in): 4 1/8  
 Ceiling Thickness (mm): 10 - 50  
 Ceiling Thickness (in): 3/8 - 1 15/16  
 Weight (kg): 0.3  
 Fixture Finish: [BLK / WHI / ARB / CHR](#)  
 Fixture Material: Extruded Aluminum  
 Cut-out Measurements: Ø 75mm/2 15/16"

#### ELECTRICAL

Lamp Type: LED (Zhaga Standard)  
 Input Wattage (W): 12.8  
 Total Output Wattage (W): 11.8  
 Dimming: Non-dimming / DALI Dimming / MATTER Dimming  
 Driver Included: No  
 Driver Location: Remote  
 Driver Type: Constant Current - Universal  
 Driver Class: Class 2  
 Constant Current (MA): 350mA  
 Upon Request: 0-10V Dimming / Phase Dimming

#### LED

Color Temperature (\*K): [2400 / 2700 / 3000 / 3500 / 4000](#)  
 Max. Delivered Lumen (lm): Max 604  
 Nominal Lumen (lm): Max 1065  
 CRI: >90 CRI  
 Efficiency (%): 47  
 Lamp Life (hrs): 50000

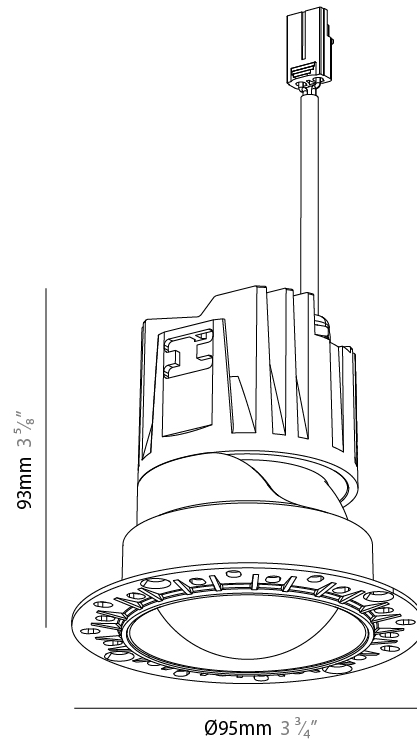
#### OPTICAL

Beam Angle: 10  
 Adjustability: Rotational 350° / Tilt 30°

#### RATINGS AND CERTIFICATIONS

Certified By: Certified for North American Standards  
 IP rating: IP65  
 Glare Rating: ≤ 10

PROJECT
TYPE
SPECIFIER
QUANTITY
DATE



A350209-

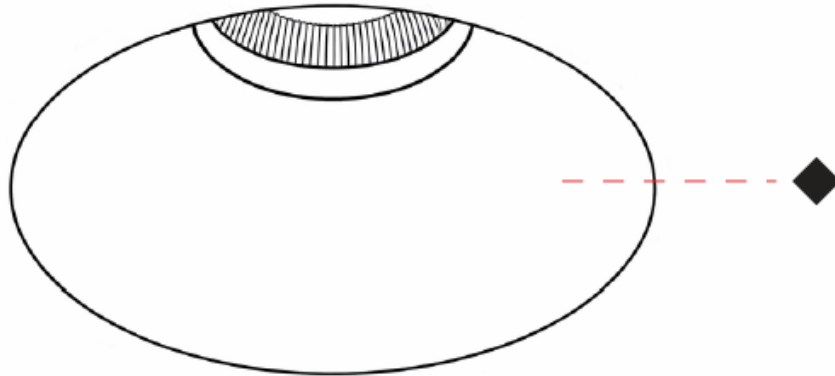
PROJECT

TYPE

SPECIFIER

QUANTITY

DATE



A

## BIONIQ EVO TRIMLESS

### A350210-

base number      Finishes (Diamond)      Lens Options      Beam Angle Options

- To build a product code in our configurator select the specify button on the base model # product page
- To build a manual product code on this datasheet choose from the options listed below in blue font and add the suffix to the base model #

#### GENERAL

Series: Bioniq Evo  
 Partner: Prolicht  
 Division: Architectural  
 Installation: Trimless  
 Product Type: Downlight  
 Mounting Location: Ceiling  
 Light Distribution: Adjustable / Direct

#### PHYSICAL

Aperture Sizes - Downlights: 3"  
 Shape: Round  
 Diameter (mm): 95  
 Diameter (in): 3 3/4  
 Height (mm): 93  
 Depth (mm): 105  
 Height (in): 3 5/8  
 Depth (in): 4 1/8  
 Ceiling Thickness (mm): 10 - 50  
 Ceiling Thickness (in): 3/8 - 1 15/16  
 Weight (kg): 0.3  
 Fixture Finish: [SSR / BKV / CWI / CRY / HAB / UFT / ITA / RUA / FTG / MYG / LOD / PUS / FRO / FUP / KIA / POP / BLS / SPG / MEY / GOH / CHC / COM / ABZ / JAG / OBR / MOS / ROR](#)  
 Fixture Material: Extruded Aluminum  
 Cut-out Measurements: Ø 75mm/2 15/16"

#### ELECTRICAL

Lamp Type: LED (Zhaga Standard)  
 Input Wattage (W): 12.3  
 Total Output Wattage (W): 10.9  
 Dimming: Non-dimming / DALI Dimming / MATTER Dimming  
 Driver Included: No  
 Driver Location: Remote  
 Driver Type: Constant Current - Universal  
 Driver Class: Class 2  
 Constant Current (MA): 350mA  
 Upon Request: 0-10V Dimming / Phase Dimming

#### LED

Color Temperature (°K): 2700-6500 Tunable White  
 Max. Delivered Lumen (lm): Max 1119  
 Nominal Lumen (lm): Max 1495  
 CRI: >90 CRI  
 Efficiency (%): 90.8  
 Lamp Life (hrs): 50000

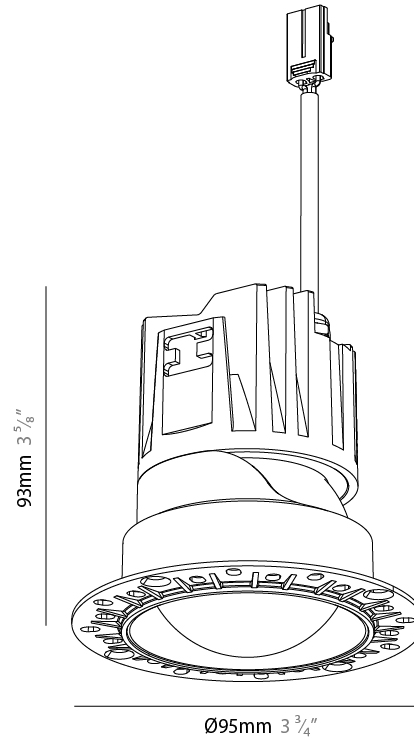
#### OPTICAL

Beam Angle: [24 / 32 / 42](#)  
 Adjustability: Rotational 350° / Tilt 30°

#### RATINGS AND CERTIFICATIONS

Certified By: Certified for North American Standards  
 IP rating: IP65  
 Glare Rating: ≤ 10

PROJECT
TYPE
SPECIFIER
QUANTITY
DATE



A350210-

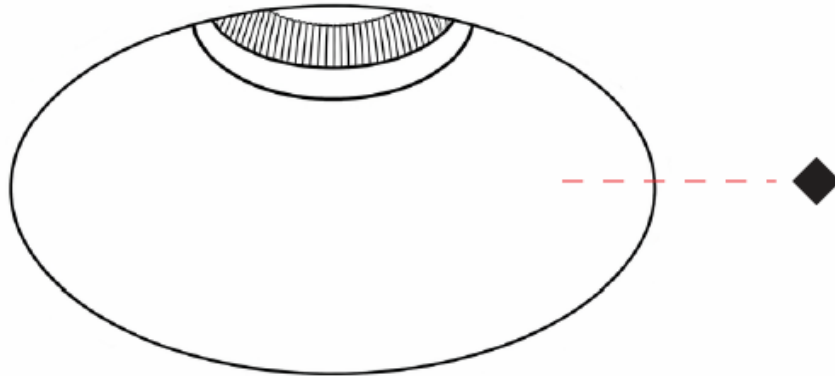
PROJECT

TYPE

SPECIFIER

QUANTITY

DATE



A

## BIONIQ EVO TRIMLESS

### A350211-

base number      Finish Options      Lens Options      Beam Angle Options

- To build a product code in our configurator select the specify button on the base model # product page
- To build a manual product code on this datasheet choose from the options listed below in blue font and add the suffix to the base model #

#### GENERAL

Series: Bioniq Evo  
 Partner: Prolicht  
 Division: Architectural  
 Installation: Trimless  
 Product Type: Downlight  
 Mounting Location: Ceiling  
 Light Distribution: Adjustable / Direct

#### PHYSICAL

Aperture Sizes - Downlights: 3"  
 Shape: Round  
 Diameter (mm): 95  
 Diameter (in): 3 3/4  
 Height (mm): 93  
 Depth (mm): 105  
 Height (in): 3 5/8  
 Depth (in): 4 1/8  
 Ceiling Thickness (mm): 10 - 50  
 Ceiling Thickness (in): 3/8 - 1 15/16  
 Weight (kg): 0.3  
 Fixture Finish: [BLK](#) / [WHI](#) / [ARB](#) / [CHR](#)  
 Fixture Material: Extruded Aluminum  
 Cut-out Measurements: Ø 75mm/2 15/16"

#### ELECTRICAL

Lamp Type: LED (Zhaga Standard)  
 Input Wattage (W): 12.3  
 Total Output Wattage (W): 10.9  
 Dimming: Non-dimming / DALI Dimming / MATTER Dimming  
 Driver Included: No  
 Driver Location: Remote  
 Driver Type: Constant Current - Universal  
 Driver Class: Class 2  
 Constant Current (MA): 350mA  
 Upon Request: 0-10V Dimming / Phase Dimming

#### LED

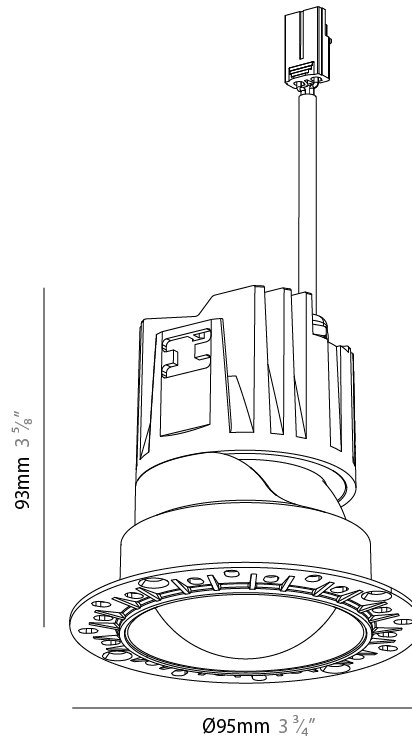
Color Temperature (°K): 2700-6500 Tunable White  
 Max. Delivered Lumen (lm): Max 1119  
 Nominal Lumen (lm): Max 1495  
 CRI: >90 CRI  
 Efficiency (%): 90.8  
 Lamp Life (hrs): 50000

#### OPTICAL

Beam Angle: [24](#) / [32](#) / [42](#)  
 Adjustability: Rotational 350° / Tilt 30°

#### RATINGS AND CERTIFICATIONS

Certified By: Certified for North American Standards  
 IP rating: IP65  
 Glare Rating: ≤ 10



A350211-

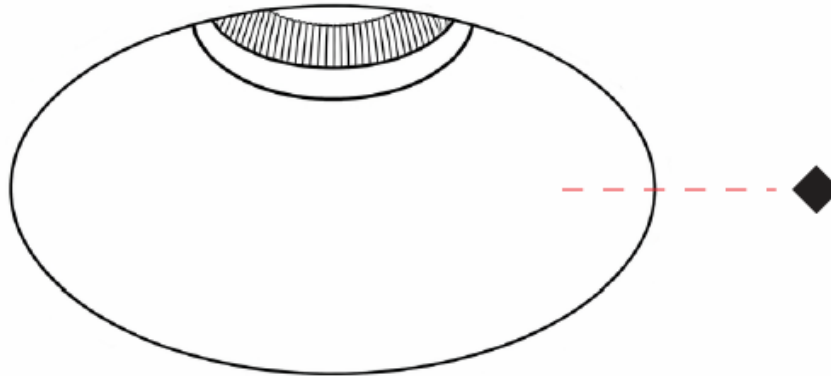
PROJECT

TYPE

SPECIFIER

QUANTITY

DATE



A

## BIONIQ EVO TRIMLESS

### A350212-

base number    Color    Finishes    Lens    Beam Angle  
 Temperature    (Diamond)    Options    Options

- To build a product code in our configurator select the specify button on the base model # product page
- To build a manual product code on this datasheet choose from the options listed below in blue font and add the suffix to the base model #

#### GENERAL

Series: Bioniq Evo  
 Partner: Prolicht  
 Division: Architectural  
 Installation: Trimless  
 Product Type: Downlight  
 Mounting Location: Ceiling  
 Light Distribution: Adjustable / Direct

#### PHYSICAL

Aperture Sizes - Downlights: 4"  
 Shape: Round  
 Diameter (mm): 125  
 Diameter (in): 4 7/8  
 Height (mm): 122  
 Depth (mm): 135  
 Height (in): 4 3/4  
 Depth (in): 5 1/16  
 Ceiling Thickness (mm): 10 - 50  
 Ceiling Thickness (in): 3/8 - 1 15/16  
 Weight (kg): 0.7  
 Fixture Finish: SSR / BKV / CWI / CRY / HAB / UFT / ITA / RUA / FTG / MYG / LOD / PUS / FRO / FUP / KIA / POP / BLS / SPG / MEY / GOH / CHC / COM / ABZ / JAG / OBR / MOS / ROR  
 Fixture Material: Extruded Aluminum  
 Cut-out Measurements: Ø 95mm/3 3/4"

#### ELECTRICAL

Lamp Type: LED (Zhaga Standard)  
 Input Wattage (W): 21.9  
 Total Output Wattage (W): 20  
 Dimming: Non-dimming / DALI Dimming / MATTER Dimming  
 Driver Included: No  
 Driver Location: Remote  
 Driver Type: Constant Current - Universal  
 Driver Class: Class 2  
 Constant Current (MA): 500mA  
 Upon Request: 0-10V Dimming / Phase Dimming

#### LED

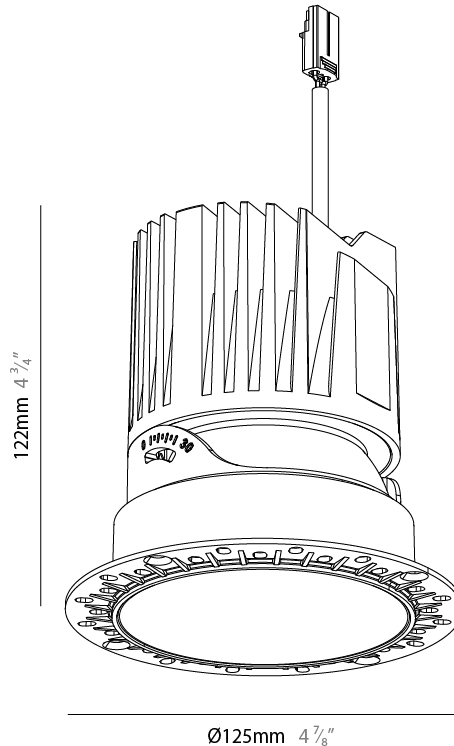
Color Temperature (°K): 2400 / 2700 / 3000 / 3500 / 4000  
 Max. Delivered Lumen (lm): Max 2583  
 Nominal Lumen (lm): 3490  
 CRI: >90 CRI  
 Efficiency (%): 117.9  
 Lamp Life (hrs): 50000

#### OPTICAL

Beam Angle: 26 / 34 / 46 / 56  
 Adjustability: Rotational 350° / Tilt 30°

#### RATINGS AND CERTIFICATIONS

Certified By: Certified for North American Standards  
 IP rating: IP65  
 Glare Rating: ≤ 10



A350212-

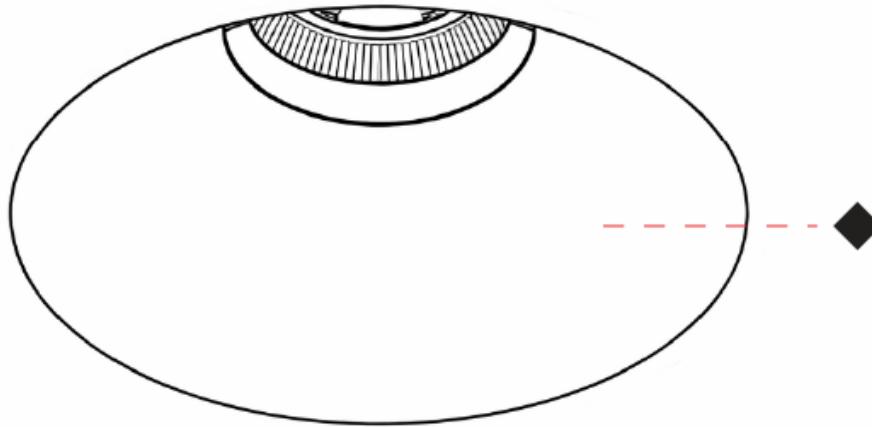
PROJECT

TYPE

SPECIFIER

QUANTITY

DATE



A

## BIONIQ EVO TRIMLESS

### A350213-

base number    Color Temperature    Finish Options    Lens Options    Beam Angle Options

- To build a product code in our configurator select the specify button on the base model # product page
- To build a manual product code on this datasheet choose from the options listed below in blue font and add the suffix to the base model #

#### GENERAL

Series: Bioniq Evo  
 Partner: Prolicht  
 Division: Architectural  
 Installation: Trimless  
 Product Type: Downlight  
 Mounting Location: Ceiling  
 Light Distribution: Adjustable / Direct

#### PHYSICAL

Aperture Sizes - Downlights: 4"  
 Shape: Round  
 Diameter (mm): 125  
 Diameter (in): 4 7/8  
 Height (mm): 122  
 Depth (mm): 135  
 Height (in): 4 3/4  
 Depth (in): 5 1/16  
 Ceiling Thickness (mm): 10 - 50  
 Ceiling Thickness (in): 3/8 - 1 15/16  
 Weight (kg): 0.7  
 Fixture Finish: [BLK](#) / [WHI](#) / [ARB](#) / [CHR](#)  
 Fixture Material: Extruded Aluminum  
 Cut-out Measurements: Ø 95mm/3 3/4"

#### ELECTRICAL

Lamp Type: LED (Zhaga Standard)  
 Input Wattage (W): 21.9  
 Total Output Wattage (W): 20  
 Dimming: [Non-dimming](#) / [DALI Dimming](#) / [MATTER Dimming](#)  
 Driver Included: No  
 Driver Location: Remote  
 Driver Type: Constant Current - Universal  
 Driver Class: Class 2  
 Constant Current (MA): 500mA  
 Upon Request: [0-10V Dimming](#) / [Phase Dimming](#)

#### LED

Color Temperature (\*K): [2400](#) / [2700](#) / [3000](#) / [3500](#) / [4000](#)  
 Max. Delivered Lumen (lm): Max 2583  
 Nominal Lumen (lm): 3490  
 CRI: >90 CRI  
 Efficiency (%): 117.9  
 Lamp Life (hrs): 50000

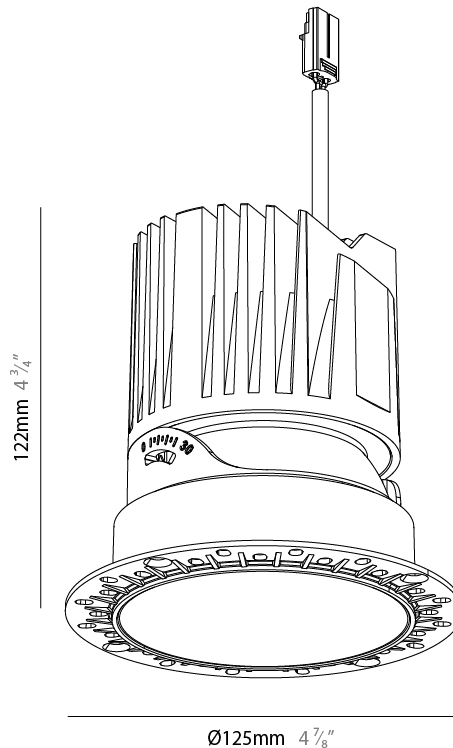
#### OPTICAL

Beam Angle: [26](#) / [34](#) / [46](#) / [56](#)  
 Adjustability: [Rotational 350°](#) / [Tilt 30°](#)

#### RATINGS AND CERTIFICATIONS

Certified By: Certified for North American Standards  
 IP rating: IP65  
 Glare Rating: ≤ 10

PROJECT \_\_\_\_\_  
 TYPE \_\_\_\_\_  
 SPECIFIER \_\_\_\_\_  
 QUANTITY \_\_\_\_\_  
 DATE \_\_\_\_\_



A350213-

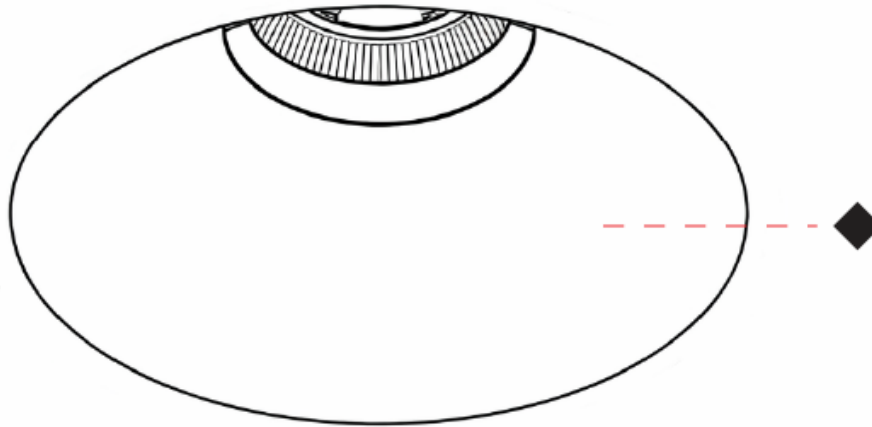
PROJECT

TYPE

SPECIFIER

QUANTITY

DATE



A

## BIONIQ EVO TRIMLESS

### A350214-

base number      Finishes (Diamond)      Lens Options      Beam Angle Options

- To build a product code in our configurator select the specify button on the base model # product page
- To build a manual product code on this datasheet choose from the options listed below in blue font and add the suffix to the base model #

#### GENERAL

Series: Bioniq Evo  
 Partner: Prolicht  
 Division: Architectural  
 Installation: Trimless  
 Product Type: Downlight  
 Mounting Location: Ceiling  
 Light Distribution: Adjustable / Direct

#### PHYSICAL

Aperture Sizes - Downlights: 4"  
 Shape: Round  
 Diameter (mm): 120  
 Diameter (in): 4 ¾  
 Height (mm): 122  
 Depth (mm): 135  
 Height (in): 4 ¾  
 Depth (in): 5 ⅙  
 Ceiling Thickness (mm): 10 - 50  
 Ceiling Thickness (in): 3/8 - 1 15/16  
 Weight (kg): 0.7  
 Fixture Finish: [SSR / BKV / CWI / CRY / HAB / UFT / ITA / RUA / FTG / MYG / LOD / PUS / FRO / FUP / KIA / POP / BLS / SPG / MEY / GOH / CHC / COM / ABZ / JAG / OBR / MOS / ROR](#)  
 Fixture Material: Extruded Aluminum  
 Cut-out Measurements: Ø 95mm/3 3/4"

#### ELECTRICAL

Lamp Type: LED (Zhaga Standard)  
 Input Wattage (W): 19.9  
 Total Output Wattage (W): 18.2  
 Dimming: Non-dimming / DALI Dimming / MATTER Dimming  
 Driver Included: No  
 Driver Location: Remote  
 Driver Type: Constant Current - Universal  
 Driver Class: Class 2  
 Constant Current (mA): 500mA  
 Upon Request: 0-10V Dimming / Phase Dimming

#### LED

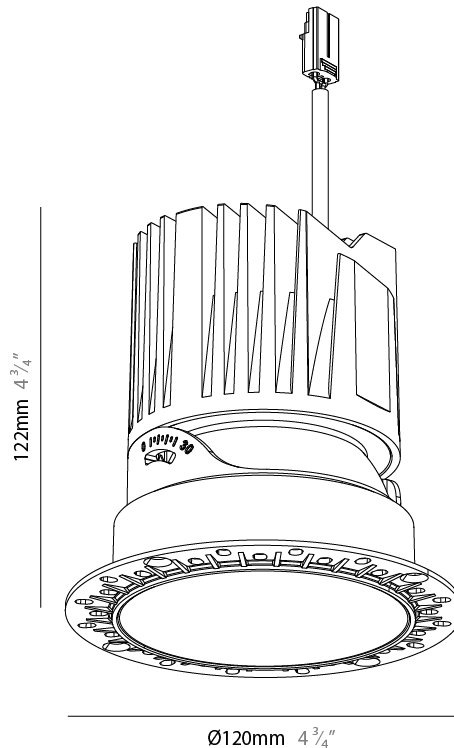
Color Temperature (°K): 2700-6500 Tunable White  
 Max. Delivered Lumen (lm): Max 1765  
 Nominal Lumen (lm): Max 2385  
 CRI: >90 CRI  
 Efficiency (%): 88.5  
 Lamp Life (hrs): 50000

#### OPTICAL

Beam Angle: [26 / 34 / 46 / 56](#)  
 Adjustability: Rotational 350° / Tilt 30°

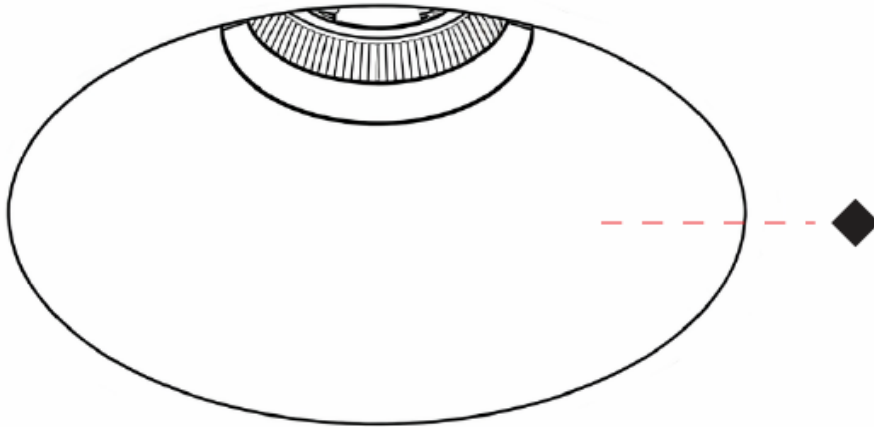
#### RATINGS AND CERTIFICATIONS

Certified By: Certified for North American Standards  
 IP rating: IP65  
 Glare Rating: ≤ 10



A350214-

PROJECT	_____
TYPE	_____
SPECIFIER	_____
QUANTITY	_____
DATE	_____



## BIONIQ EVO TRIMLESS

### A350215-

base number      Finish Options      Lens Options      Beam Angle Options

- To build a product code in our configurator select the specify button on the base model # product page
- To build a manual product code on this datasheet choose from the options listed below in blue font and add the suffix to the base model #

#### GENERAL

Series: Bioniq Evo  
 Partner: Prolicht  
 Division: Architectural  
 Installation: Trimless  
 Product Type: Downlight  
 Mounting Location: Ceiling  
 Light Distribution: Adjustable / Direct

#### PHYSICAL

Aperture Sizes - Downlights: 4"  
 Shape: Round  
 Diameter (mm): 120  
 Diameter (in): 4 3/4  
 Height (mm): 122  
 Depth (mm): 135  
 Height (in): 4 3/4  
 Depth (in): 5 5/16  
 Ceiling Thickness (mm): 10 - 50  
 Ceiling Thickness (in): 3/8 - 1 15/16  
 Weight (kg): 0.7  
 Fixture Finish: [BLK](#) / [WHI](#) / [ARB](#) / [CHR](#)  
 Fixture Material: Extruded Aluminum  
 Cut-out Measurements: Ø 95mm/3 3/4"

#### ELECTRICAL

Lamp Type: LED (Zhaga Standard)  
 Input Wattage (W): 19.9  
 Total Output Wattage (W): 18.2  
 Dimming: Non-dimming / DALI Dimming / MATTER Dimming  
 Driver Included: No  
 Driver Location: Remote  
 Driver Type: Constant Current - Universal  
 Driver Class: Class 2  
 Constant Current (MA): 500mA  
 Upon Request: 0-10V Dimming / Phase Dimming

#### LED

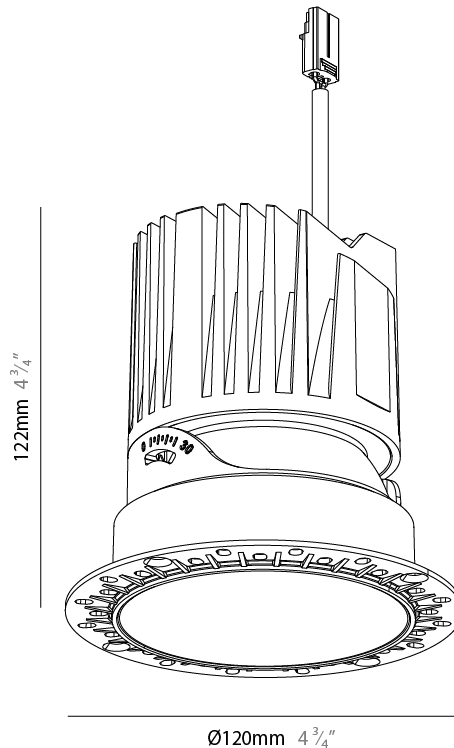
Color Temperature (°K): 2700-6500 Tunable White  
 Max. Delivered Lumen (lm): Max 1765  
 Nominal Lumen (lm): Max 2385  
 CRI: >90 CRI  
 Efficiency (%): 88.5  
 Lamp Life (hrs): 50000

#### OPTICAL

Beam Angle: [26](#) / [34](#) / [46](#) / [56](#)  
 Adjustability: Rotational 350° / Tilt 30°

#### RATINGS AND CERTIFICATIONS

Certified By: Certified for North American Standards  
 IP rating: IP65  
 Glare Rating: ≤ 10



A350215-

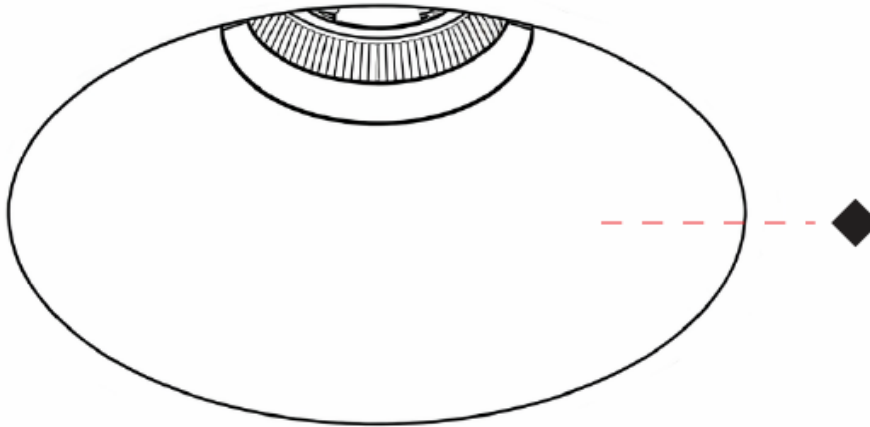
PROJECT

TYPE

SPECIFIER

QUANTITY

DATE



A

## BIONIQ EVO COLOR FINISH CHART

PROJECT \_\_\_\_\_

TYPE \_\_\_\_\_

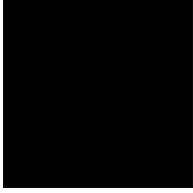
SPECIFIER \_\_\_\_\_

QUANTITY \_\_\_\_\_

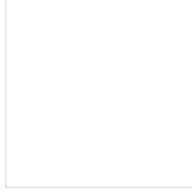
DATE \_\_\_\_\_

### Fixture Finish

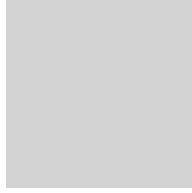
Black - BLK (BLK)



White - WHI (WHI)



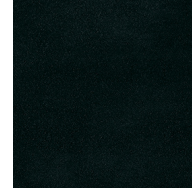
Chrome - (CHR)



Sparkling Silver - 01 (SSR)



Black Velvet - 02 (BKV)



Crystal White - 03 (CWI)



Creamy - 04 (CRY)



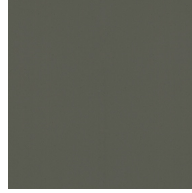
Hampton Bay - 05 (HAB)



Urban Forest - 07 (UFT)



In the Army - 08 (ITA)



Rusty Angel - 09 (RUA)



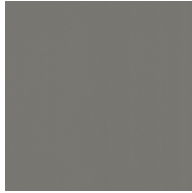
Fade to Gray - 12 (FTG)



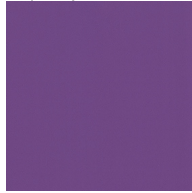
Mysterious Gray - 13 (MYG)



Lost Dream - 15 (LOD)



Purple Sky - 16 (PUS)



Fresh Oh - 17 (FRO)



Funky P. - 18 (FUP)



Kissing Aphrodite - 19 (KIA)



Poseidon's Paradise - 20 (POP)



Blue Sky - 21 (BLS)



Spring Green - 22 (SPG)



Mellow Yellow - 23 (MEY)



Golden Heart - 24 (GOH)



Champagne Cream - 26 (CHC)



Copper Mine - 27 (COM)



Ancient Bronze - 28 (ABZ)



Jazz Gold - 29 (JAG)



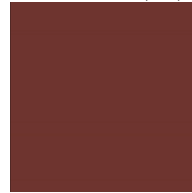
Olive Breeze - 30 (OBR)



Moonlight Silver - 31 (MOS)

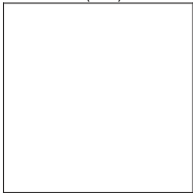


Rosewood Red - 32 (ROR)

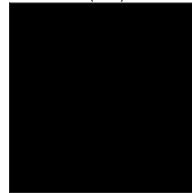


### Holder Finish

White - WHI (WHI)



Black - BLK (BLK)



### LEGEND

	floor-mounted		pivotable		special LED (upon request) RGB, RGBW, tunable, gold+, meat+, art+, fashion+
	wall and ceiling: recessed and surface mounted		rotating		warm dim / natural dimming LED
	ceiling-mounted and wall-mounted		illuminate tilted		rechargeable battery powered
	wall-mounted		color of suspension cable		fixture with natural vivid LED (upon request)
	omni-directional light distribution		length of suspension cable		color rendering index
	direct light distribution		reflector degree selection		color temperature
	direct/indirect light distribution		super spot		lumen (luminous flux)
	indirect light distribution		lens		efficacy (lumens per watt)
	asymmetric light distribution		lens pack		Unified Glare Rating (UGR) range from 5-40
	aura light distribution		shine ring		marine grade (AISI 316 stainless steel)
	round wall or ceiling cut-out		integrated shine ring with diffuser		walk on
	square wall or ceiling cut-out		free individual colors 01-29		drive on
	the supplied jig specifies the cutout dimensions		individual colors: 00 (free of charge), 01-25 (extra charge)		Dark Sky Compliance
	minimum distance (meters) lamp - object		luminaire part to be colored (F1)		Americans with Disabilities Act (less than 4" off the wall located between 27"-84" from floor)
	recessed depth		luminaire part to be colored (F2)		lamp protected against explosion
	ceiling thickness in mm		luminaire part to be colored (F3)		blown glass using traditional methods by master glass blower
	ceiling thickness selection		luminaire part to be colored (F4)		acoustic material
	dimnable DP (phase), DV (0-10V), DD (dali), DS (step-dim)		luminaire part to be colored (F5)		protection class I, protection insulation
	included or excluded LED driver/transformer/control gear		color of 3-circuit adaptor		protection class II, protection insulation
	separately switchable		indirect diffuser		ETL Certified to UL and CSA Standards
	sensor		direct diffuser		UL Certified to UL and CSA Standards
	remote control		ball-proof (upon request)		CSA Certified to UL and CSA Standards
	available upon request		accessory		Certified for North American Standards

### IP RATING

	protected against ingress of solid bodies greater than 12.5mm (finger)
	protected against ingress of solid bodies greater than 2.5mm protected against sprays of water up to 60 degrees from the vertical (rain)
	protected against ingress of solid bodies greater than 1mm (wire) no protection against the ingress of moisture
	protected against ingress of solid bodies greater than 1mm (wire) protected against sprays of water up to 60 degrees from the vertical (rain)
	protected against ingress of solid bodies greater than 1mm (wire) protected against water splashed from all directions
	protected against limited ingress of dust (wet rooms/covered outdoor areas) protected against water splashed from all directions
	protected against ingress of dust protected against jets of water
	protected against ingress of dust protected against powerful jets of water or heavy seas
	protected against ingress of dust protected against immersion of water between 15cm - 1m for 30 minutes
	protected against ingress of dust protected against immersion of water under pressure for long periods

### IK RATING

	protected against 0.14 joules impact (equivalent to 0.25kg mass dropped from 56mm above the surface)
	protected against 0.2 joules impact (equivalent to 0.25kg mass dropped from 80mm above the surface)
	protected against 0.35 joules impact (equivalent to 0.25kg mass dropped from 140mm above the surface)
	protected against 0.5 joules impact (equivalent to 0.25kg mass dropped from 200mm above the surface)
	protected against 0.7 joules impact (equivalent to 0.25kg mass dropped from 280mm above the surface)
	protected against 1 joules impact (equivalent to 0.25kg mass dropped from 400mm above the surface)
	protected against 2 joules impact (equivalent to 0.5kg mass dropped from 400mm above the surface)
	protected against 5 joules impact (equivalent to 1.7kg mass dropped from 300mm above the surface)
	protected against 10 joules impact (equivalent to 5.0kg mass dropped from 200mm above the surface)
	protected against 20 joules impact (equivalent to 5.0kg mass dropped from 400mm above the surface)